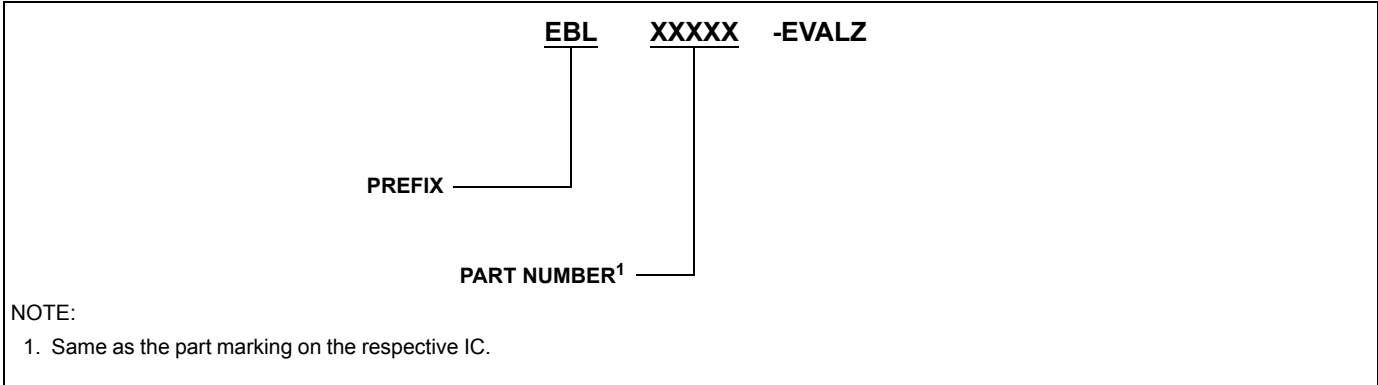


QL Evaluation Boards



NOTE:

- 1. Same as the part marking on the respective IC.