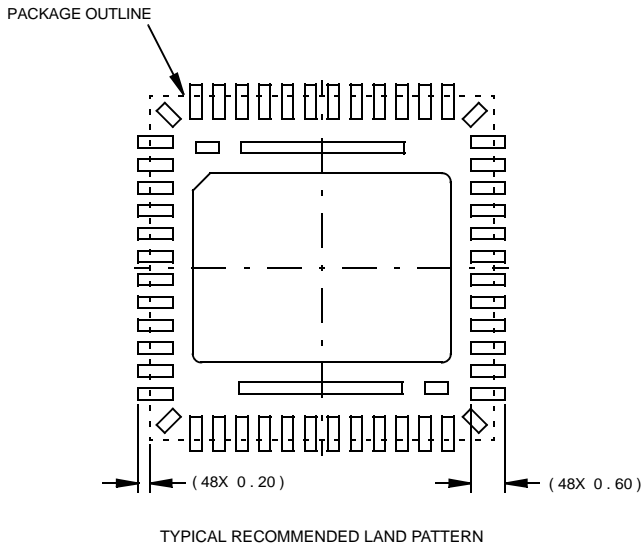
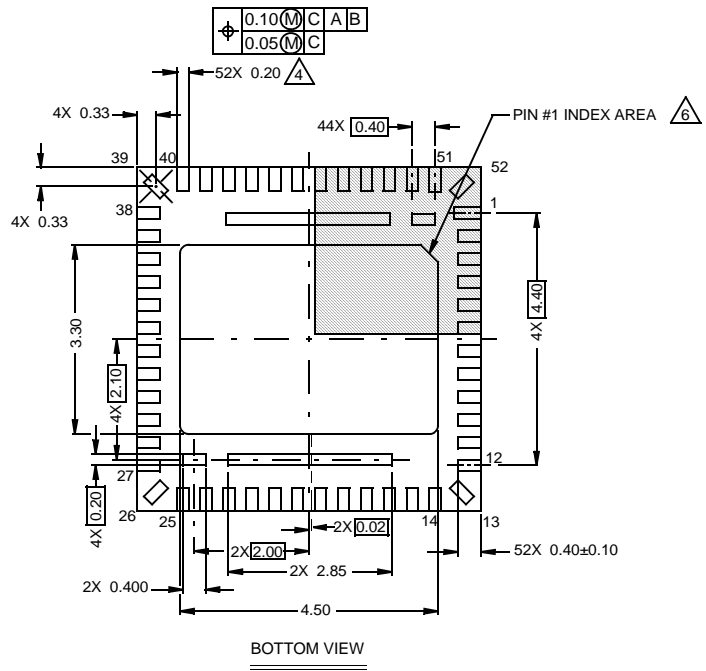
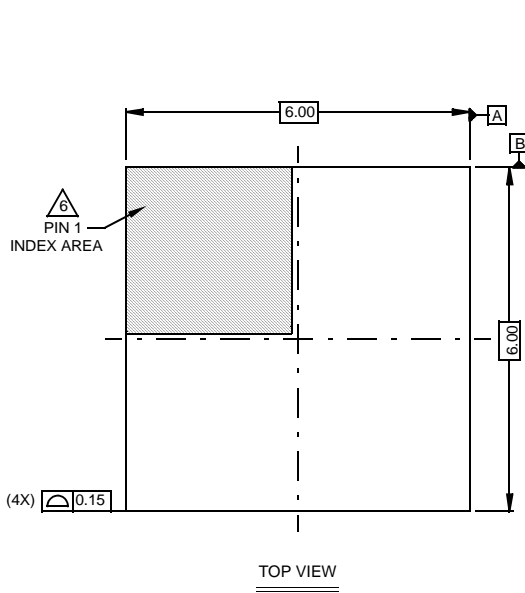


Package Outline Drawing

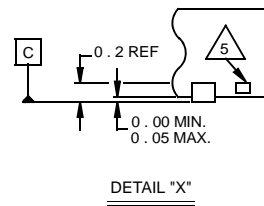
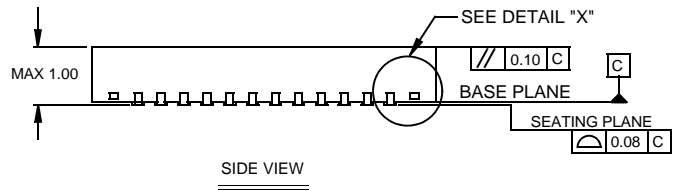
L52.6x6

52 LEAD QUAD FLAT NO-LEAD PLASTIC PACKAGE

Rev 0, 08/07



NOTE: Unless otherwise specified, Dimensions of PCB:
1:1 Ratio with Package Solder Pad Dimensions.



NOTES:

1. Dimensions are in millimeters.
Dimensions in () for Reference Only.
2. Dimensioning and tolerancing conform to AMSE Y14.5m-1994.
3. Unless otherwise specified, tolerance : Decimal ± 0.05
4. Dimension b applies to the metallized terminal and is measured between 0.15mm and 0.25mm from the terminal tip.
5. Tiebar shown (if present) is a non-functional feature.
6. The configuration of the pin #1 identifier is optional, but must be located within the zone indicated. The pin #1 identifier may be either a mold or mark feature.