

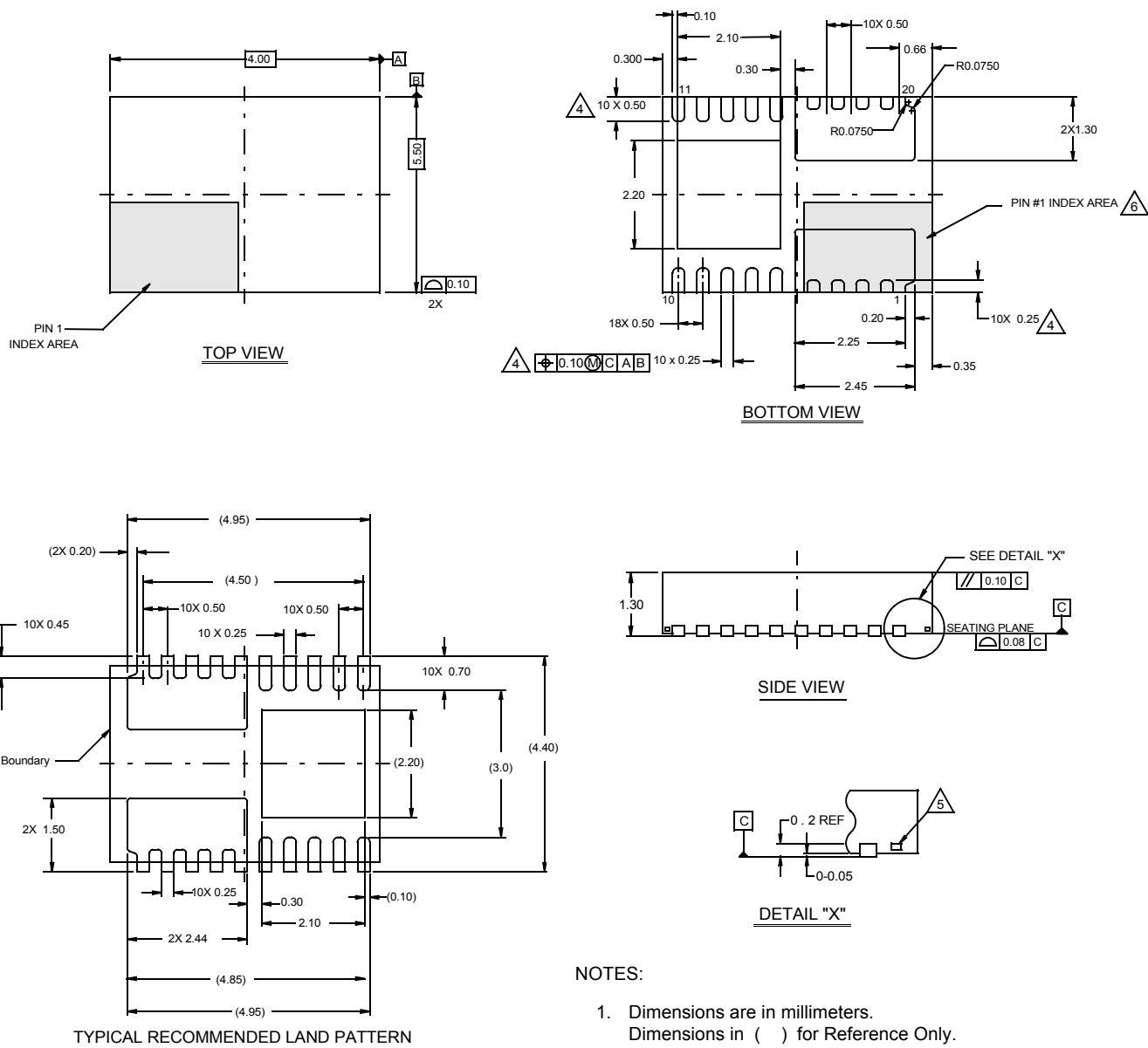
Plastic Packages for Integrated Circuits

Package Outline Drawing

L20.4.0x5.5

20 LEAD DUAL FLAT NO-LEAD PLASTIC PACKAGE

Rev 5, 3/15



NOTES:

- Dimensions are in millimeters.
Dimensions in () for Reference Only.
- Dimensioning and tolerancing conform to AMSE Y14.5m-1994.
- Unless otherwise specified, tolerance :
Decimal ± 0.05
Angular $\pm 2^\circ$
- Dimension applies to the metallized terminal and is measured between 0.15mm and 0.30mm from the terminal tip.
- Tiebar shown (if present) is a non-functional feature and may be located on any of the 4 sides (or ends).
- The configuration of the pin #1 identifier is optional, but must be located within the zone indicated. The pin #1 identifier may be either a mold or mark feature.
- No other electrical connection allowed under backside of X1 or X2 areas.
- Soldering required to PCB for X1 and X2 pads to separate and non-connected metal pads.