

**HM-65642/883**

8K x 8 Asynchronous CMOS Static RAM

FN3004  
Rev.2.00  
May 2002

**Features**

- This Circuit is Processed in Accordance to MIL-STD-883 and is Fully Conformant Under the Provisions of Paragraph 1.2.1.
- Full CMOS Design
- Six Transistor Memory Cell
- Low Standby Supply Current ..... 100µA
- Low Operating Supply Current ..... 20mA
- Fast Address Access Time ..... 150ns
- Low Data Retention Supply Voltage ..... 2.0V
- CMOS/TTL Compatible Inputs/Outputs
- JEDEC Approved Pinout
- Equal Cycle and Access Times
- No Clocks or Strokes Required
- Gated Inputs
  - No Pull-Up or Pull-Down Resistors Required
- Temperature Range -55°C to +125°C
- Easy Microprocessor Interfacing
- Dual Chip Enable Control

**Description**

The HM-65642/883 is a CMOS 8192 x 8-bit Static Random Access Memory. The pinout is the JEDEC 28 pin, 8-bit wide standard, which allows easy memory board layouts which accommodate a variety of industry standard ROM, PROM, EPROM, EEPROM and RAMs. The HM-65642/883 is ideally suited for use in microprocessor based systems. In particular, interfacing with the Intersil 80C86 and 80C88 microprocessors is simplified by the convenient output enable ( $\bar{G}$ ) input.

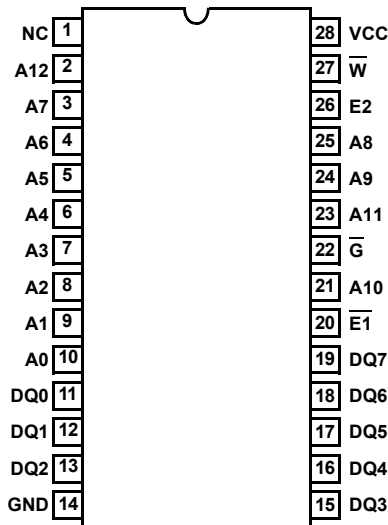
The HM-65642/883 is a full CMOS RAM which utilizes an array of six transistor (6T) memory cells for the most stable and lowest possible standby supply current over the full military temperature range.

**Ordering Information**

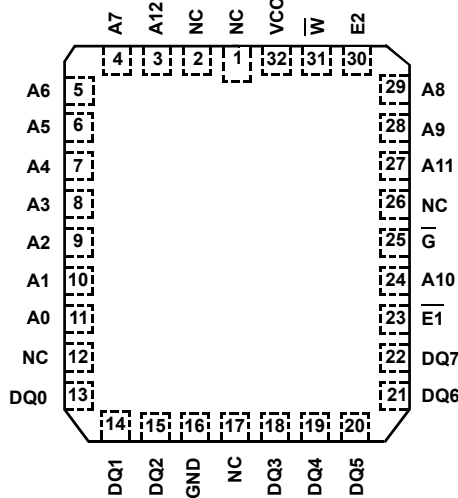
PACKAGE	TEMPERATURE RANGE	150ns/75µA	150ns/150µA	200ns/250µA	PKG. NO.
CERDIP	-55°C to +125°C	HM1-65642B/883	HM1-65642/883	HM1-65642C/883	F28.6
CLCC	-55°C to +125°C	HM4-65642B/883	HM4-65642/883	-	J32.A

**Pinouts**

HM-65642/883 (CERDIP)  
TOP VIEW



HM4-65642/883 (CLCC)  
TOP VIEW



PIN	DESCRIPTION
A	Address Input
DQ	Data Input/Output
$\bar{E}1$	Chip Enable
E2	Chip Enable
$\bar{W}$	Write Enable
$\bar{G}$	Output Enable
NC	No Connections
GND	Ground
VCC	Power

**Absolute Maximum Ratings**

Supply Voltage ..... +7.0V  
 Input or Output Voltage Applied for all Grades. .... GND -0.3V to VCC +0.3V  
 Typical Derating Factor ..... 5mA/MHz Increase in ICCOP  
 ESD Classification ..... Class 1

**Thermal Information**

Thermal Resistance (Typical)  $\theta_{JA}$   $\theta_{JC}$   
 CERDIP Package ..... 45°C/W 8°C/W  
 CLCC Package ..... 55°C/W 10°C/W  
 Maximum Storage Temperature Range ..... -65°C to +150°C  
 Maximum Junction Temperature ..... +175°C  
 Maximum Lead Temperature (Soldering 10s) ..... +300°C

**Die Characteristics**

Gate Count ..... 101,000 Gates

*CAUTION: Stresses above those listed in "Absolute Maximum Ratings" may cause permanent damage to the device. This is a stress only rating and operation of the device at these or any other conditions above those indicated in the operational sections of this specification is not implied.*

**Operating Conditions**

Operating Voltage Range ..... +4.5V to +5.5V  
 Operating Temperature Range ..... -55°C to +125°C  
 Input Low Voltage ..... -0.3V to +0.8V  
 Input High Voltage ..... +2.2V to VCC +0.3V  
 Data Retention Supply Voltage ..... 2.0V  
 Input Rise and Fall Time ..... 40ns Max.

**TABLE 1. HM-65642/883 DC ELECTRICAL PERFORMANCE SPECIFICATIONS**

Device Guaranteed and 100% Tested

PARAMETER	SYMBOL	(NOTE 1) CONDITIONS	GROUP A SUBGROUPS	TEMPERATURE	LIMITS		UNITS
					MIN	MAX	
High Level Output Voltage	VOH 1	VCC = 4.5V, IO = -1.0mA	1, 2, 3	-55°C ≤ T <sub>A</sub> ≤ +125°C	2.4	-	V
Low Level Output Voltage	VOL	VCC = 4.5V, IO = 4.0mA	1, 2, 3	-55°C ≤ T <sub>A</sub> ≤ +125°C	-	0.4	V
High Impedance Output Leakage Current	IIOZ	HM-65642B/883, HM-65642/883 VCC = 5.5V, $\bar{G}$ = 2.2V, VI/O = GND or VCC	1, 2, 3	-55°C ≤ T <sub>A</sub> ≤ +125°C	-1.0	+1.0	μA
		HM-65642C/883 VCC = 5.5V, $\bar{G}$ = 2.2V, VI/O = GND or VCC	1, 2, 3	-55°C ≤ T <sub>A</sub> ≤ +125°C	-2.0	+2.0	μA
Input Leakage Current	II	HM-65642B/883, HM-65642/883 VCC = 5.5V, VI = GND or VCC	1, 2, 3	-55°C ≤ T <sub>A</sub> ≤ +125°C	-1.0	+1.0	μA
		HM-65642C/883 VCC = 5.5V, VI = GND or VCC	1, 2, 3	-55°C ≤ T <sub>A</sub> ≤ +125°C	-2.0	+2.0	μA
Standby Supply Current	ICCSB1	HM-65642B/883 VCC = 5.5V, $\bar{E}1$ = VCC -0.3V or E2 = GND +0.3V	1, 2, 3	-55°C ≤ T <sub>A</sub> ≤ +125°C	-	100	μA
		HM-65642/883 VCC = 5.5V, $\bar{E}1$ = VCC -0.3V or E2 = GND +0.3V	1, 2, 3	-55°C ≤ T <sub>A</sub> ≤ +125°C	-	250	μA
		HM-65642C/883 VCC = 5.5V, $\bar{E}1$ = VCC -0.3V or E2 = GND +0.3V	1, 2, 3	-55°C ≤ T <sub>A</sub> ≤ +125°C	-	400	μA
Standby Supply Current	ICCSB	VCC = 5.5V, IO = 0mA, $\bar{E}1$ = 2.2V or E2 = 0.8V	1, 2, 3	-55°C ≤ T <sub>A</sub> ≤ +125°C	-	5	mA
Enable Supply Current	ICCEN	VCC = 5.5V, IO = 0mA, $\bar{E}1$ = 0.8V, E2 = 2.2V	1, 2, 3	-55°C ≤ T <sub>A</sub> ≤ +125°C	-	5	mA
Operating Supply Current	ICCOP	VCC = 5.5V, $\bar{G}$ = 5.5V, (Note 2), f = 1MHz, $\bar{E}1$ = 0.8V, E2 = 2.2V	1, 2, 3	-55°C ≤ T <sub>A</sub> ≤ +125°C	-	20	mA

TABLE 1. HM-65642/883 DC ELECTRICAL PERFORMANCE SPECIFICATIONS (Continued)

Device Guaranteed and 100% Tested

PARAMETER	SYMBOL	(NOTE 1) CONDITIONS	GROUP A SUBGROUPS	TEMPERATURE	LIMITS		UNITS
					MIN	MAX	
Data Retention Supply Current	ICCDR	HM-65642B/883 VCC = 2.0V, $\overline{E1}$ = VCC -0.3V or E2 = GND +0.3V	1, 2, 3	$-55^{\circ}\text{C} \leq T_A \leq$ $+125^{\circ}\text{C}$	-	75	$\mu\text{A}$
		HM-65642/883 VCC = 2.0V, $\overline{E1}$ = VCC -0.3V or E2 = GND +0.3V	1, 2, 3	$-55^{\circ}\text{C} \leq T_A \leq$ $+125^{\circ}\text{C}$	-	150	$\mu\text{A}$
		HM-65642C/883 VCC = 2.0V, $\overline{E1}$ = VCC -0.3V or E2 = GND +0.3V	1, 2, 3	$-55^{\circ}\text{C} \leq T_A \leq$ $+125^{\circ}\text{C}$	-	250	$\mu\text{A}$
Functional Test	FT	VCC = 4.5V (Note 3)	7, 8A, 8B	$-55^{\circ}\text{C} \leq T_A \leq$ $+125^{\circ}\text{C}$	-	-	-

## NOTES:

- All voltages referenced to device GND.
- Typical derating 5mA/MHz increase in ICCOP.
- Tested as follows: f = 2MHz, VIH = 2.4V, VIL = 0.4V, IOH = -4.0mA, IOL = 4.0mA, VOH  $\geq$  1.5V, and VOL  $\leq$  1.5V.

TABLE 2. HM-65642/883 AC ELECTRICAL PERFORMANCE SPECIFICATIONS

PARAMETERS	SYMBOL	(NOTES 1, 2) CONDITIONS	GROUP A SUB- GROUPS	TEMPERATURE	LIMITS						UNITS
					HM- 65642B/883		HM- 65642/883		HM- 65642C/883		
					MIN	MAX	MIN	MAX	MIN	MAX	
Read/Write/ Cycle Time	TAVAX	VCC = 4.5V and 5.5V	9, 10, 11	$-55^{\circ}\text{C} \leq T_A \leq +125^{\circ}\text{C}$	150	-	150	-	200	-	ns
Address Access Time	TAVQV	VCC = 4.5V and 5.5V	9, 10, 11	$-55^{\circ}\text{C} \leq T_A \leq +125^{\circ}\text{C}$	-	150	-	150	-	200	-
Output Enable Access Time	TGLQV	VCC = 4.5V and 5.5V	9, 10, 11	$-55^{\circ}\text{C} \leq T_A \leq +125^{\circ}\text{C}$	-	70	-	70	-	70	ns
Chip Enable Access Time	TE1LQV TE2HQV	VCC = 4.5V and 5.5V	9, 10, 11	$-55^{\circ}\text{C} \leq T_A \leq +125^{\circ}\text{C}$	-	150	-	150	-	200	ns
Write Recovery Time	TWHAX TE1HAX TE2LAX	VCC = 4.5V and 5.5V	9, 10, 11	$-55^{\circ}\text{C} \leq T_A \leq +125^{\circ}\text{C}$	10	-	10	-	10	-	ns
Chip Enable to End-of-Write	TE1LE1H TE2HE2L	VCC = 4.5V and 5.5V	9, 10, 11	$-55^{\circ}\text{C} \leq T_A \leq +125^{\circ}\text{C}$	90	-	90	-	120	-	ns
Address Setup Time	TAVWL TAVE1L TAVE2H	VCC = 4.5V and 5.5V	9, 10, 11	$-55^{\circ}\text{C} \leq T_A \leq +125^{\circ}\text{C}$	0	-	0	-	0	-	ns
Write Enable Pulse Width	TWLWH	VCC = 4.5V and 5.5V	9, 10, 11	$-55^{\circ}\text{C} \leq T_A \leq +125^{\circ}\text{C}$	90	-	90	-	120	-	ns
Data Setup Time	TDVWH TDVE1H TDVE2L	VCC = 4.5V and 5.5V	9, 10, 11	$-55^{\circ}\text{C} \leq T_A \leq +125^{\circ}\text{C}$	60	-	60	-	80	-	ns

TABLE 2. HM-65642/883 AC ELECTRICAL PERFORMANCE SPECIFICATIONS (Continued)

PARAMETERS	SYMBOL	(NOTES 1, 2) CONDITIONS	GROUP A SUB- GROUPS	TEMPERATURE	LIMITS						UNITS
					HM-65642B/883		HM-65642/883		HM-65642C/883		
					MIN	MAX	MIN	MAX	MIN	MAX	
Data Hold Time	TWHDX	VCC = 4.5V and 5.5V	9, 10, 11	$-55^{\circ}\text{C} \leq T_A \leq +125^{\circ}\text{C}$	5	-	5	-	5	-	ns
	TE1HDX	VCC = 4.5V and 5.5V	9, 10, 11	$-55^{\circ}\text{C} \leq T_A \leq +125^{\circ}\text{C}$	10	-	10	-	10	-	ns
	TE2LDX	VCC = 4.5V and 5.5V	9, 10, 11	$-55^{\circ}\text{C} \leq T_A \leq +125^{\circ}\text{C}$	10	-	10	-	10	-	ns

## NOTES:

1. All voltages referenced to device GND.
2. AC measurements assume transition time  $\leq 5\text{ns}$ ; input levels = 0.0V to 3.0V; timing reference levels = 1.5V; output load = 1TTL equivalent load and  $CL \geq 50\text{pF}$ , for  $CL > 50\text{pF}$ , access times are derated 0.15ns/pF.

TABLE 3. HM-65642/883 ELECTRICAL PERFORMANCE SPECIFICATIONS

PARAMETER	SYMBOL	CONDITIONS	NOTES	TEMPERATURE	LIMITS		
					MIN	MAX	UNITS
Output High Voltage	VOH2	VCC = 4.5V, IO = -100 $\mu\text{A}$	1	$-55^{\circ}\text{C} \leq T_A \leq +125^{\circ}\text{C}$	VCC - 0.4	-	V
Input Capacitance	CIN	VCC = Open, f = 1MHz, All Measurements Referenced to Device Ground	1, 2	$T_A = +25^{\circ}\text{C}$	-	12	pF
		VCC = Open, f = 1MHz, All Measurements Referenced to Device Ground	1, 3	$T_A = +25^{\circ}\text{C}$	-	10	pF
I/O Capacitance	CI/O	VCC = Open, f = 1MHz, All Measurements Referenced to Device Ground	1, 2	$T_A = +25^{\circ}\text{C}$	-	14	pF
		VCC = 4.5V, VI/O = GND or VCC, All Measurements Referenced to Device Ground	1, 3	$T_A = +25^{\circ}\text{C}$	-	12	pF
Write Enable to Output in High Z	TWLQZ	VCC = 4.5V and 5.5V	1	$-55^{\circ}\text{C} \leq T_A \leq +125^{\circ}\text{C}$	-	50	ns
Write Enable High to Output ON	TWHQX	VCC = 4.5V and 5.5V	1	$-55^{\circ}\text{C} \leq T_A \leq +125^{\circ}\text{C}$	5	-	ns
Chip Enable to Output ON	TE1LQX TE2HQX	VCC = 4.5V and 5.5V	1	$-55^{\circ}\text{C} \leq T_A \leq +125^{\circ}\text{C}$	10	-	ns
Output Enable to Output ON	TGLQX	VCC = 4.5V and 5.5V	1	$-55^{\circ}\text{C} \leq T_A \leq +125^{\circ}\text{C}$	5	-	ns
Chip Enable to Output in High Z	TE1HQZ	VCC = 4.5V and 5.5V	1	$-55^{\circ}\text{C} \leq T_A \leq +125^{\circ}\text{C}$	-	50	ns
	TE2LQZ		1	$-55^{\circ}\text{C} \leq T_A \leq +125^{\circ}\text{C}$	-	60	ns
Output Disable to Output in High Z	TGHQZ	VCC = 4.5V and 5.5V	1	$-55^{\circ}\text{C} \leq T_A \leq +125^{\circ}\text{C}$	-	50	ns
Output Hold from Address Change	TAXQX	VCC = 4.5V and 5.5V	1	$-55^{\circ}\text{C} \leq T_A \leq +125^{\circ}\text{C}$	10	-	ns

## NOTES:

1. The parameters listed in Table 3 are controlled via design or process parameters and are not directly tested. These parameters are characterized upon initial design release and upon design changes which would affect these characteristics.
2. Applies to DIP device types only. For design purposes CIN = 6pF typical and CI/O = 7pF typical.
3. Applies to LCC device types only. For design purposes CIN = 4pF typical and CI/O = 5pF typical.

TABLE 4. APPLICABLE SUBGROUPS

CONFORMANCE GROUPS	GROUPS METHOD	SUBGROUPS
Interim Test 1	100%/5004	-
Interim Test	100%/5004	1, 7, 9
PDA	100%/5004	1
Final Test 1	100%/5004	2, 3, 8A, 8B, 10, 11
Group A	Samples/5005	1, 2, 3, 7, 8A, 8B, 9, 10, 11
Groups C and D	Samples/5005	1, 7, 9

### Low Voltage Data Retention

Intersil CMOS RAMs are designed with battery backup in mind. Data Retention voltage and supply current are guaranteed over the operating temperature range. The following rules ensure data retention:

1. The RAM must be kept disabled during data retention. This is accomplished by holding the E2 pin between -0.3V and GND.
2. During power-up and power-down transitions, E2 must be held between -0.3V and 10% of VCC.
3. The RAM can begin operating one TAVAX after VCC reaches the minimum operating voltage of 4.5V.

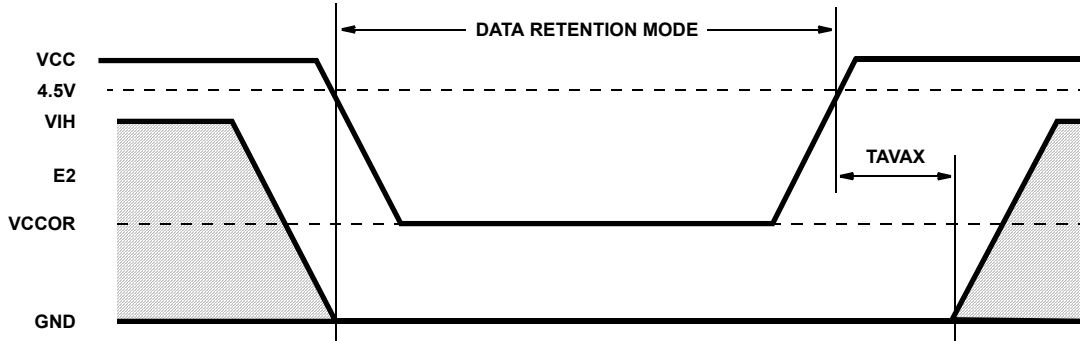


FIGURE 1. DATA RETENTION

### Read Cycles

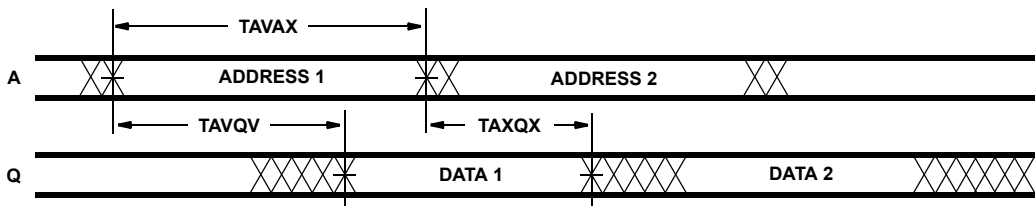


FIGURE 2. READ CYCLE I:  $\bar{W}$ , E2 HIGH;  $\bar{G}$ ,  $\bar{E}1$  LOW

**Read Cycles**

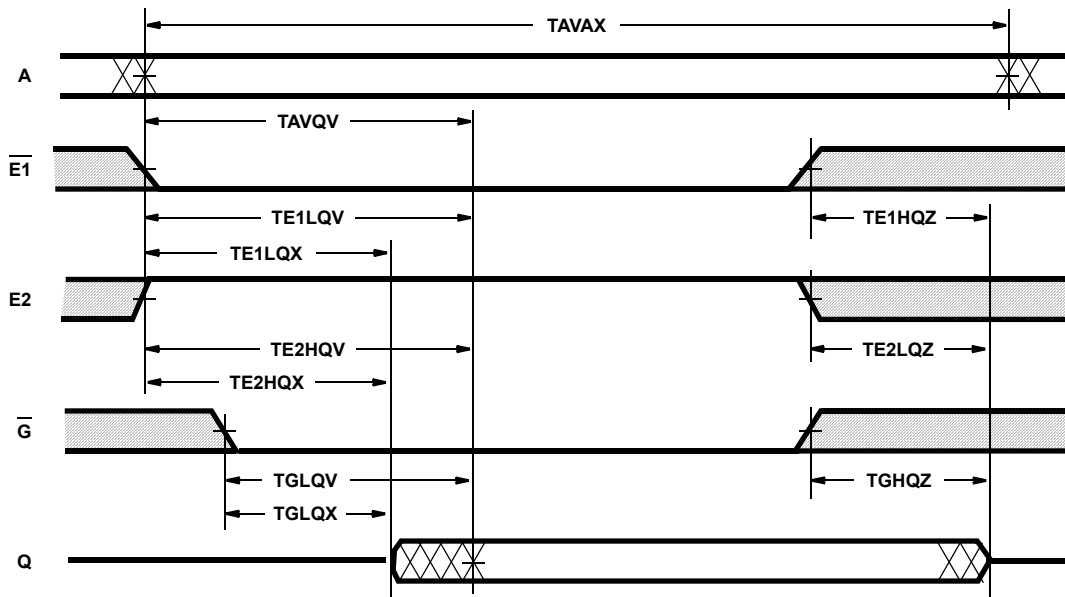
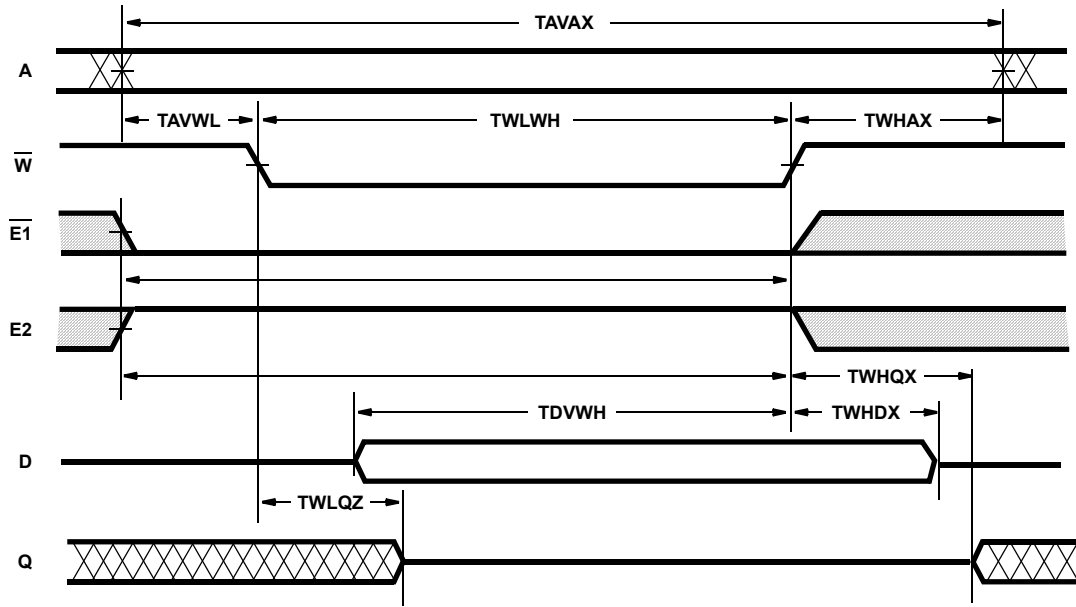
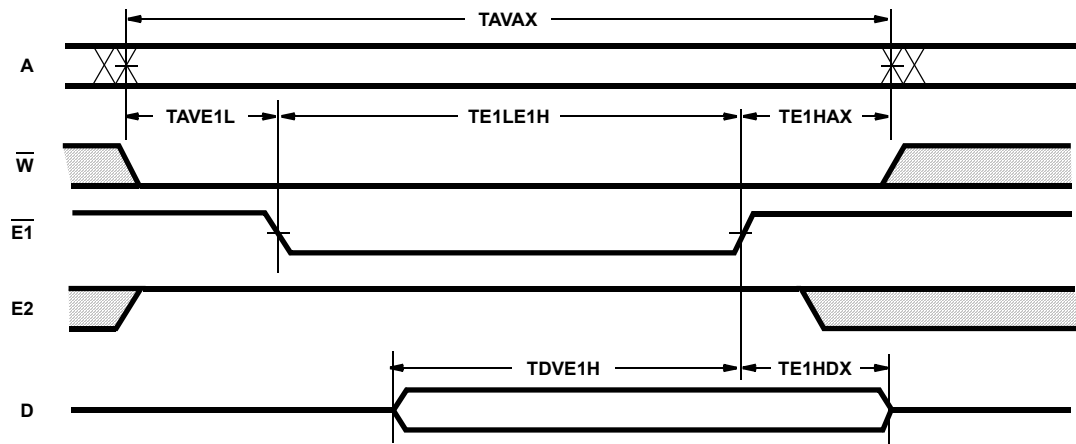


FIGURE 3. READ CYCLE II:  $\bar{W}$  HIGH

**Write Cycles**



**FIGURE 4. WRITE CYCLE I: LATE WRITE**



**FIGURE 5. WRITE CYCLE II: EARLY WRITE - CONTROLLED BY E1-bar**



**Write Cycles**

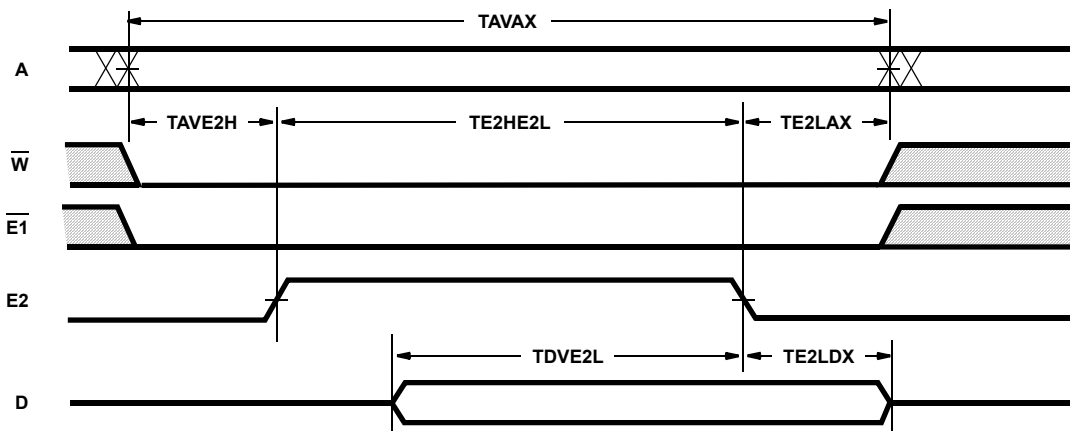
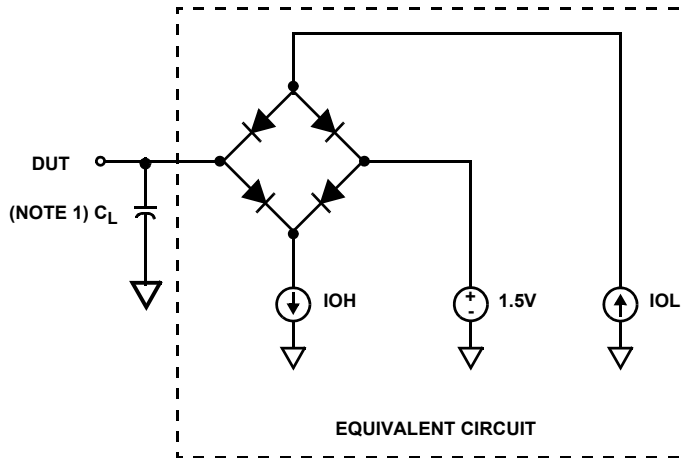


FIGURE 6. WRITE CYCLE III: EARLY WRITE - CONTROLLED BY E2

### Test Circuit

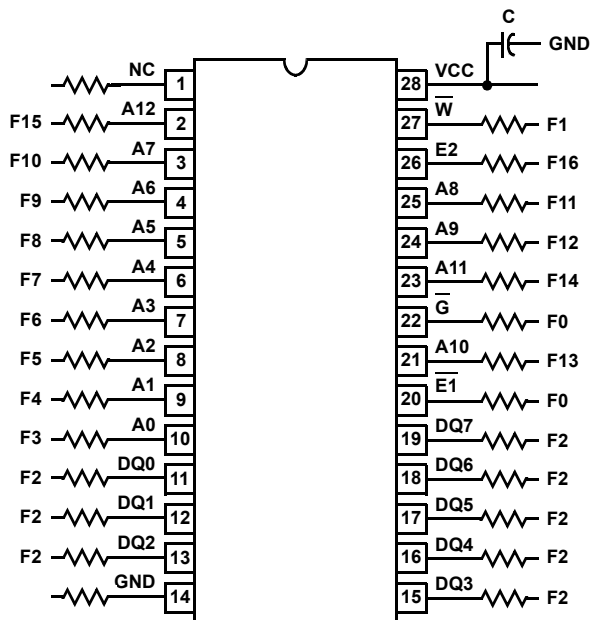


NOTE:

- 1. Test head capacitance.

### Burn-In Circuits

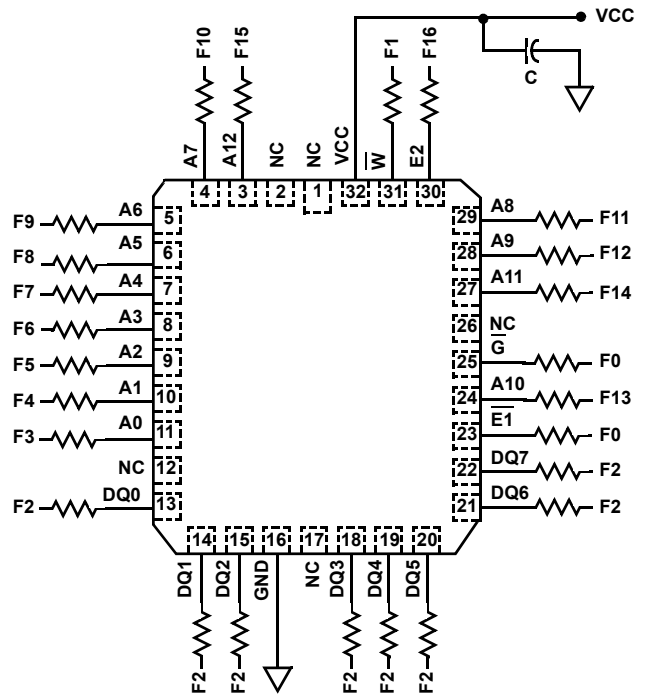
HM-65642/883  
CERDIP  
TOP VIEW



NOTES:

- F0 = 100kHz  $\pm$ 10%.
- All resistors 47k $\Omega$   $\pm$ 5%.
- C = 0.01 $\mu$ F Min.
- VCC = 5.5V  $\pm$ 0.5V.
- VIH = 4.5V  $\pm$ 10%.
- VIL = -0.2V to +0.4V.

HM-65642/883  
CLCC  
TOP VIEW



NOTES:

- F0 = 100kHz  $\pm$ 10%.
- C = 0.01 $\mu$ F Min.
- VCC = 5.5V  $\pm$ 0.5V.
- VIH = 4.5V  $\pm$ 10%.
- VIL = -0.2V to +0.4V.

**Die Characteristics**

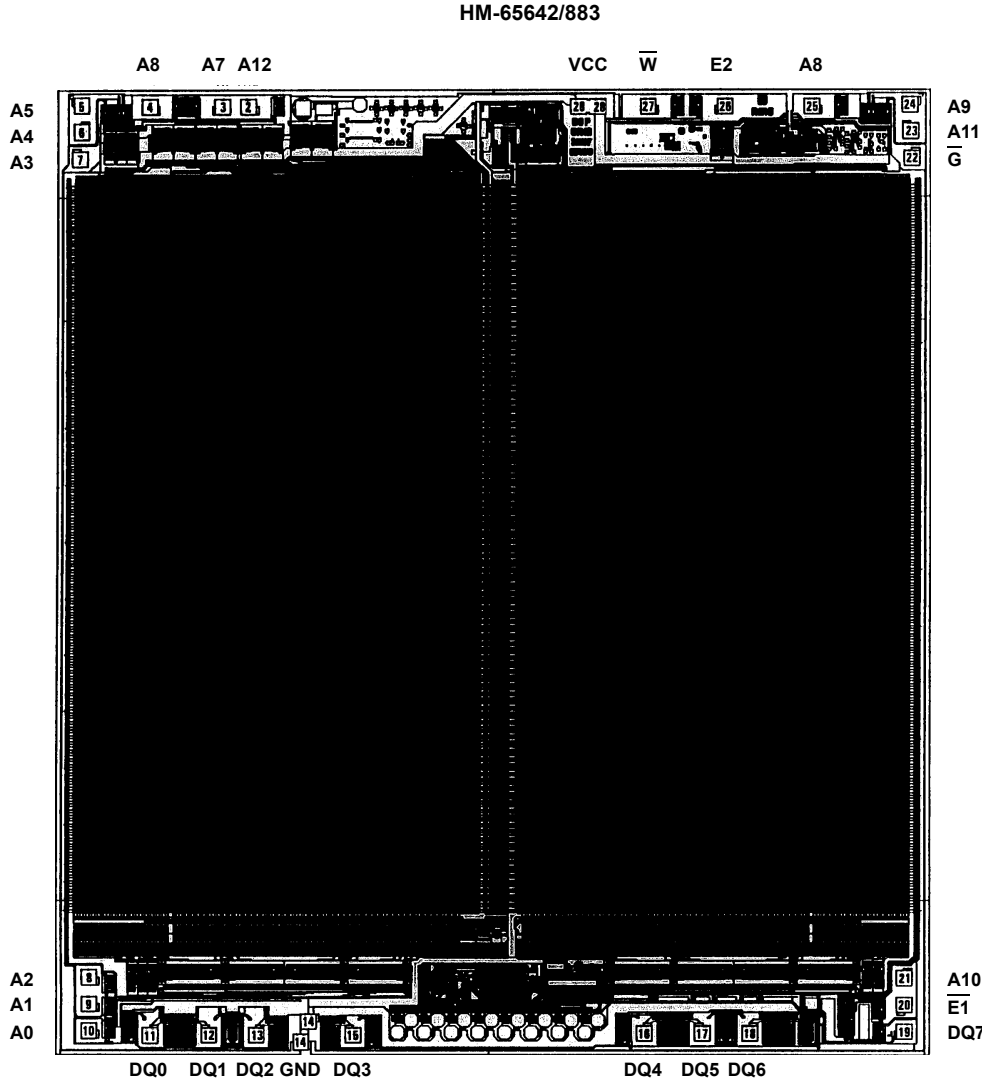
**DIE DIMENSIONS:**  
274.0 x 302.8 x 19 ±1mils

**METALLIZATION:**  
Type: Si - Al  
Thickness: 11kÅ ±2kÅ

**GLASSIVATION:**  
Type: SiO<sub>2</sub>  
Thickness: 8kÅ ±1kÅ

**WORST CASE CURRENT DENSITY:**  
0.9 x 10<sup>5</sup> A/cm<sup>2</sup>

**Metallization Mask Layout**



© Copyright Intersil Americas LLC 2002. All Rights Reserved.

All trademarks and registered trademarks are the property of their respective owners.

For additional products, see [www.intersil.com/en/products.html](http://www.intersil.com/en/products.html)

Intersil products are manufactured, assembled and tested utilizing ISO9001 quality systems as noted in the quality certifications found at [www.intersil.com/en/support/qualandreliability.html](http://www.intersil.com/en/support/qualandreliability.html)

*Intersil products are sold by description only. Intersil may modify the circuit design and/or specifications of products at any time without notice, provided that such modification does not, in Intersil's sole judgment, affect the form, fit or function of the product. Accordingly, the reader is cautioned to verify that datasheets are current before placing orders. Information furnished by Intersil is believed to be accurate and reliable. However, no responsibility is assumed by Intersil or its subsidiaries for its use; nor for any infringements of patents or other rights of third parties which may result from its use. No license is granted by implication or otherwise under any patent or patent rights of Intersil or its subsidiaries.*

For information regarding Intersil Corporation and its products, see [www.intersil.com](http://www.intersil.com)