

High-Purity Sinewave Oscillators With Amplitude Stabilization

While a wide variety of circuits and components are used to generate sinewaves, it has always been a challenge to produce spectrally pure and regulated sines in circuits that require no tuning nor adjustments. This article shows a practical method of achieving these goals. The classic system architecture is shown below.

The crystal (or other frequency-selective network) provides the oscillation path around the multiplier or variable-gain amplifier. The multiplier's output is sampled by some amplitude detector, shown here as a rectifier diode. The DC output of the rectifier is filtered by a low-pass filter, and the output of that is compared to a DC reference voltage by the servo amplifier. The gained-up error is then used as the multiplier's gain-control input. The amplitude-control loop

serves to set the oscillation path gain to just unity, so that the multiplier's output doesn't grow nor decay, and the loop also maintains oscillation amplitude within the linear range of all components. This gain-controlled oscillator is more complicated than simple overdriven circuits, but it produces very pure sinewaves and has no startup problems.

The EL4451 is a two-quadrant multiplier, whose gain-control input voltage of 0→+2V produces a voltage gain of 0 to 2. The signal input receives a portion of the output signal passed through a series crystal. At resonance, the crystals impedance phase passes through 0° and positive feedback occurs around the multiplier. The crystal has a series resistance of about 100Ω, so with the crystals 510Ω load the multiplier will need to have a gain of 1.2 to sustain oscillation.

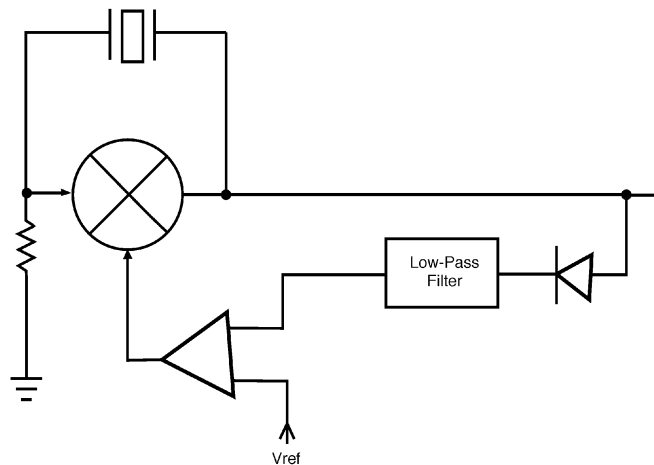


FIGURE 1. BASIC STABILIZED OSCILLATOR LOOP

Here is a realization using common components:

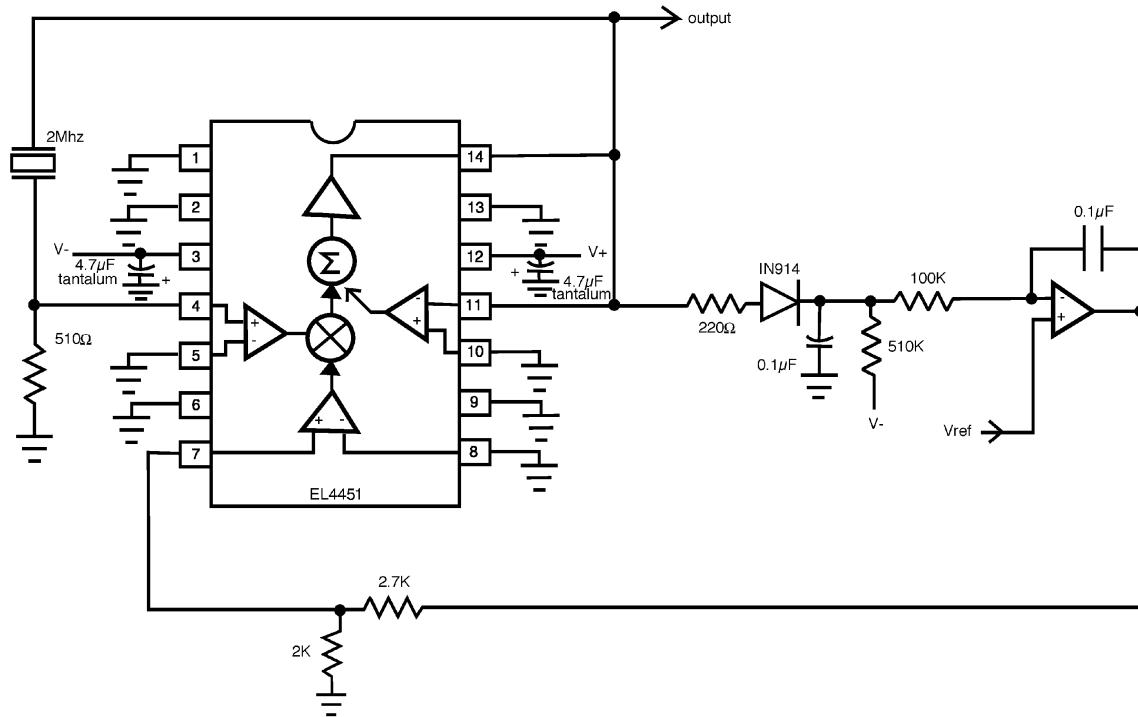


FIGURE 2. BASIC OSCILLATOR WITH AMPLITUDE STABILIZATION LOOP

The output is rectified by a simple diode detector and compared to a reference voltage by an integrating op-amp. The integrator's output is attenuated by the 2kΩ and 2.7kΩ resistors so it cannot overdrive the EL4451 gain-control input and cause nonlinear oscillations. The diode detector has a 220Ω resistor in series so as to not cause output distortions due to charging pulses. A pull-down current flows through the 510K resistor to allow proper rectification.

Any crystal, up to about 50MHz fundamental mode resonance, can be used. Overtone crystals will require an added series-tuned circuit to force harmonic oscillation modes. The crystal and 510Ω resistor can be exchanged to put the crystal at ground, using the parallel resonance mode of the crystal.

This circuit generates -53dBc harmonic distortion at 2MHz with ±5V supplies and 1Vrms output into 500Ω. This is mostly due to the output stage nonlinearities of the EL4451, and it drops to -60dBc at ±12V supplies. Reducing the output amplitude further improves distortion levels, although the simple diode detector requires a minimum 0.5Vrms level. Sideband noise is excellent, spanning only 14Hz at -90dBc, the resolution of the spectrum analyzer used.

A series-tuned LC filter can be substituted for the crystal. As long as the loaded Q is greater than about 5, the output distortion will be as good as with the crystal. Sideband noise is worse than with the crystal, however.

This circuit generates very low distortion levels.

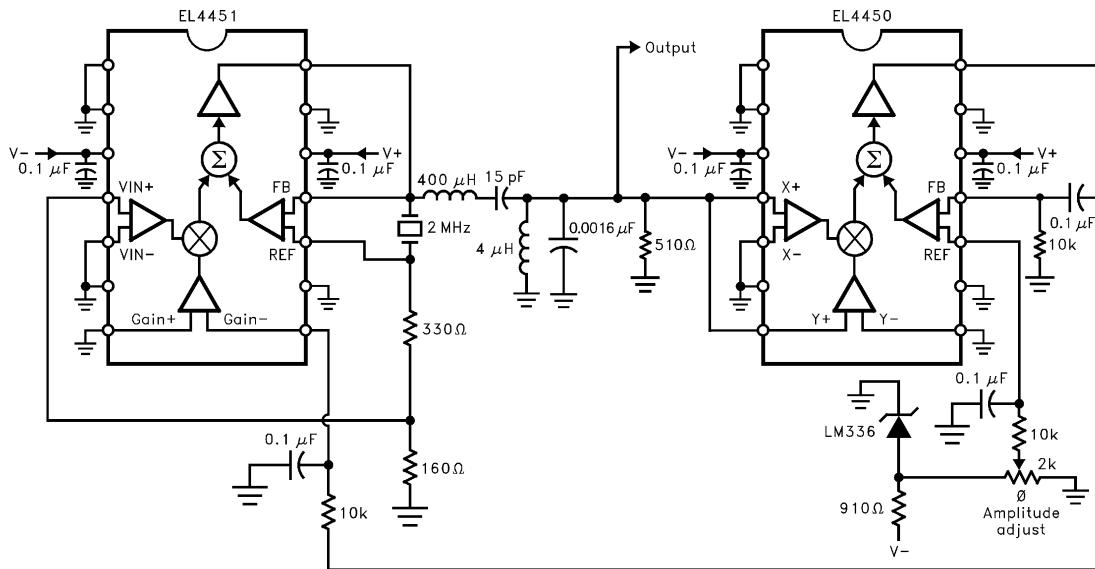


FIGURE 3. VERY LOW-DISTORTION OSCILLATOR

The EL4451 is connected in a slightly different way; the majority of crystal feedback is delivered to the REF input of the feedback amplifier, and a smaller amount of signal routed through the variable-gain input port. In this way, most of the signal runs through a simple voltage-follower path with minimal distortion. The total gain of the EL4451 in this connection is $1 + (V_{gain}/2V)$ ($160\Omega/(160\Omega + 330\Omega)$), which needs to be set to about 1.2 for stable oscillation.

The output of the EL4451 is passed through a simple filter to additionally reduce harmonics, then used as the output. For my measurements, I loaded the output with an additional 500Ω , bringing the total load to 250Ω . The EL4451 can drive lower impedances, but the output distortion will rise. Note that no active amplifier nor buffer can be used to drive the output with distortion levels anywhere near that of the passive filter.

Rather than load the filter with a highly nonlinear diode detector, this circuit uses the high-impedance inputs of the EL4450 to sense output amplitude. This is a four-quadrant multiplier, and is used as a mean-square amplitude detector. The advantages include much more precise initial calibration, easier ripple filtering since its at twice the oscillator frequency, and a built-in amplifier which can be used as the servo error amplifier. The X- and Y-inputs of the EL4450 are wired together to produce an internal output² quantity at the Σ point. Added to this is a static level from the LM336 reference that has a polarity that subtracts from the mean-square quantity. The FB terminal, normally used for DC feedback, is connected as something like an integrator using the $0.1\mu\text{F}$ capacitor. Thus, the output amplifier of the EL4450 is both the low-pass filter and error amplifier for the servo loop, and attempts to maintain the output mean-squared voltage equal to that of the reference.

Harmonic distortion is -74dB with the circuit running on $\pm 5\text{V}$ supplies, and -80dB with $\pm 12\text{V}$. As before, reducing the output amplitude improves distortion further.

The error amplifier is not actually required for amplitude stabilization. Since even a minuscule amount of oscillation loop gain more than unity results in a continuously growing amplitude, or a tad less than unity gain creates an ever-shrinking level, we could say that the gain-control input of the oscillating EL4451 already has infinite gain. This circuit makes use of this fact:

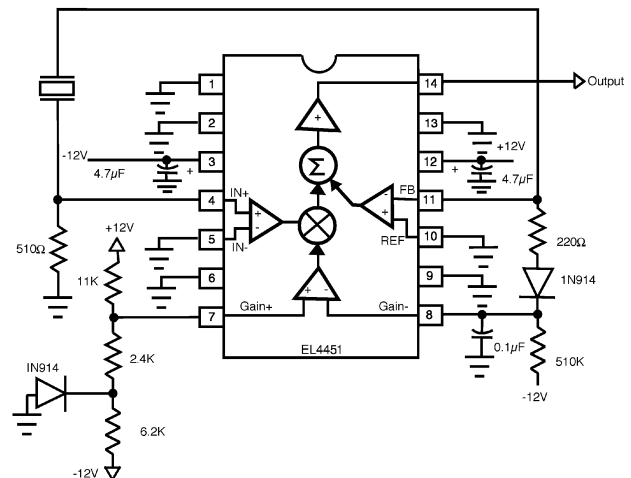


FIGURE 4. SIMPLE LINEAR OSCILLATOR

This circuit is very simple and still has the low distortion levels of the previous oscillators, but the output level is not well calibrated, despite the diode forward voltage compensation

network connected to the Gain + terminal. Variations in crystal series resistance will vary output amplitude.

In summary, we see that recent multiplier ICs can be employed in simple circuits to generate highly pure sinewaves over wide frequency ranges. The particular devices shown are low-cost, yet well calibrated and flexible.

Notice

1. Descriptions of circuits, software and other related information in this document are provided only to illustrate the operation of semiconductor products and application examples. You are fully responsible for the incorporation or any other use of the circuits, software, and information in the design of your product or system. Renesas Electronics disclaims any and all liability for any losses and damages incurred by you or third parties arising from the use of these circuits, software, or information.
2. Renesas Electronics hereby expressly disclaims any warranties against and liability for infringement or any other claims involving patents, copyrights, or other intellectual property rights of third parties, by or arising from the use of Renesas Electronics products or technical information described in this document, including but not limited to, the product data, drawings, charts, programs, algorithms, and application examples.
3. No license, express, implied or otherwise, is granted hereby under any patents, copyrights or other intellectual property rights of Renesas Electronics or others.
4. You shall not alter, modify, copy, or reverse engineer any Renesas Electronics product, whether in whole or in part. Renesas Electronics disclaims any and all liability for any losses or damages incurred by you or third parties arising from such alteration, modification, copying or reverse engineering.
5. Renesas Electronics products are classified according to the following two quality grades: "Standard" and "High Quality". The intended applications for each Renesas Electronics product depends on the product's quality grade, as indicated below.
"Standard": Computers; office equipment; communications equipment; test and measurement equipment; audio and visual equipment; home electronic appliances; machine tools; personal electronic equipment; industrial robots; etc.
"High Quality": Transportation equipment (automobiles, trains, ships, etc.); traffic control (traffic lights); large-scale communication equipment; key financial terminal systems; safety control equipment; etc.
Unless expressly designated as a high reliability product or a product for harsh environments in a Renesas Electronics data sheet or other Renesas Electronics document, Renesas Electronics products are not intended or authorized for use in products or systems that may pose a direct threat to human life or bodily injury (artificial life support devices or systems; surgical implantations; etc.), or may cause serious property damage (space system; undersea repeaters; nuclear power control systems; aircraft control systems; key plant systems; military equipment; etc.). Renesas Electronics disclaims any and all liability for any damages or losses incurred by you or any third parties arising from the use of any Renesas Electronics product that is inconsistent with any Renesas Electronics data sheet, user's manual or other Renesas Electronics document.
6. When using Renesas Electronics products, refer to the latest product information (data sheets, user's manuals, application notes, "General Notes for Handling and Using Semiconductor Devices" in the reliability handbook, etc.), and ensure that usage conditions are within the ranges specified by Renesas Electronics with respect to maximum ratings, operating power supply voltage range, heat dissipation characteristics, installation, etc. Renesas Electronics disclaims any and all liability for any malfunctions, failure or accident arising out of the use of Renesas Electronics products outside of such specified ranges.
7. Although Renesas Electronics endeavors to improve the quality and reliability of Renesas Electronics products, semiconductor products have specific characteristics, such as the occurrence of failure at a certain rate and malfunctions under certain use conditions. Unless designated as a high reliability product or a product for harsh environments in a Renesas Electronics data sheet or other Renesas Electronics document, Renesas Electronics products are not subject to radiation resistance design. You are responsible for implementing safety measures to guard against the possibility of bodily injury, injury or damage caused by fire, and/or danger to the public in the event of a failure or malfunction of Renesas Electronics products, such as safety design for hardware and software, including but not limited to redundancy, fire control and malfunction prevention, appropriate treatment for aging degradation or any other appropriate measures. Because the evaluation of microcomputer software alone is very difficult and impractical, you are responsible for evaluating the safety of the final products or systems manufactured by you.
8. Please contact a Renesas Electronics sales office for details as to environmental matters such as the environmental compatibility of each Renesas Electronics product. You are responsible for carefully and sufficiently investigating applicable laws and regulations that regulate the inclusion or use of controlled substances, including without limitation, the EU RoHS Directive, and using Renesas Electronics products in compliance with all these applicable laws and regulations. Renesas Electronics disclaims any and all liability for damages or losses occurring as a result of your noncompliance with applicable laws and regulations.
9. Renesas Electronics products and technologies shall not be used for or incorporated into any products or systems whose manufacture, use, or sale is prohibited under any applicable domestic or foreign laws or regulations. You shall comply with any applicable export control laws and regulations promulgated and administered by the governments of any countries asserting jurisdiction over the parties or transactions.
10. It is the responsibility of the buyer or distributor of Renesas Electronics products, or any other party who distributes, disposes of, or otherwise sells or transfers the product to a third party, to notify such third party in advance of the contents and conditions set forth in this document.
11. This document shall not be reprinted, reproduced or duplicated in any form, in whole or in part, without prior written consent of Renesas Electronics.
12. Please contact a Renesas Electronics sales office if you have any questions regarding the information contained in this document or Renesas Electronics products.
(Note 1) "Renesas Electronics" as used in this document means Renesas Electronics Corporation and also includes its directly or indirectly controlled subsidiaries.
(Note 2) "Renesas Electronics product(s)" means any product developed or manufactured by or for Renesas Electronics.

(Rev.4.0-1 November 2017)



SALES OFFICES

Renesas Electronics Corporation

<http://www.renesas.com>

Refer to "<http://www.renesas.com/>" for the latest and detailed information.

Renesas Electronics America Inc.
1001 Murphy Ranch Road, Milpitas, CA 95035, U.S.A.
Tel: +1-408-432-8888, Fax: +1-408-434-5351

Renesas Electronics Canada Limited
9251 Yonge Street, Suite 8309 Richmond Hill, Ontario Canada L4C 9T3
Tel: +1-905-237-2004

Renesas Electronics Europe Limited
Dukes Meadow, Millboard Road, Bourne End, Buckinghamshire, SL8 5FH, U.K.
Tel: +44-1628-651-700, Fax: +44-1628-651-804

Renesas Electronics Europe GmbH
Arcadiastrasse 10, 40472 Düsseldorf, Germany
Tel: +49-211-6503-0, Fax: +49-211-6503-1327

Renesas Electronics (China) Co., Ltd.
Room 1709 Quantum Plaza, No.27 ZhichunLu, Haidian District, Beijing, 100191 P. R. China
Tel: +86-10-8235-1155, Fax: +86-10-8235-7679

Renesas Electronics (Shanghai) Co., Ltd.
Unit 301, Tower A, Central Towers, 555 Langao Road, Putuo District, Shanghai, 200333 P. R. China
Tel: +86-21-2226-0888, Fax: +86-21-2226-0999

Renesas Electronics Hong Kong Limited
Unit 1601-1611, 16/F., Tower 2, Grand Century Place, 193 Prince Edward Road West, Mongkok, Kowloon, Hong Kong
Tel: +852-2265-6688, Fax: +852-2886-9022

Renesas Electronics Taiwan Co., Ltd.
13F, No. 363, Fu Shing North Road, Taipei 10543, Taiwan
Tel: +886-2-8175-9600, Fax: +886-2-8175-9670

Renesas Electronics Singapore Pte. Ltd.
80 Bendemeer Road, Unit #06-02 Hyflux Innovation Centre, Singapore 339949
Tel: +65-6213-0200, Fax: +65-6213-0300

Renesas Electronics Malaysia Sdn.Bhd.
Unit 1207, Block B, Menara Amcorp, Amcorp Trade Centre, No. 18, Jln Persiaran Barat, 46050 Petaling Jaya, Selangor Darul Ehsan, Malaysia
Tel: +60-3-7955-9390, Fax: +60-3-7955-9510

Renesas Electronics India Pvt. Ltd.
No.777C, 100 Feet Road, HAL 2nd Stage, Indiranagar, Bangalore 560 038, India
Tel: +91-80-67208700, Fax: +91-80-67208777

Renesas Electronics Korea Co., Ltd.
17F, KAMCO Yangjae Tower, 262, Gangnam-daero, Gangnam-gu, Seoul, 06265 Korea
Tel: +82-2-558-3737, Fax: +82-2-558-5338