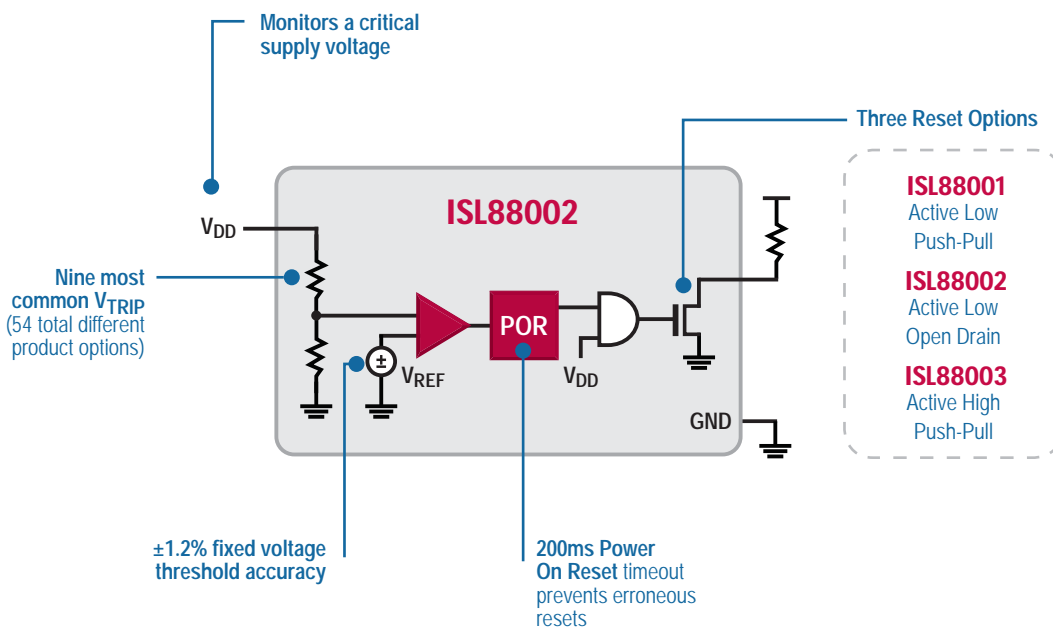


World's Most Power-Efficient 1.8V to 5V Voltage Supervisors Deliver Unmatched Combination of Performance & Selection

300nA (max) current consumption at 1.8V, tight voltage threshold accuracy of $\pm 1.2\%$ and 54 total options - all at a competitive price - make ISL88001/2/3 the ideal single voltage supervisors.



ISL88001

Active Low Push-Pull

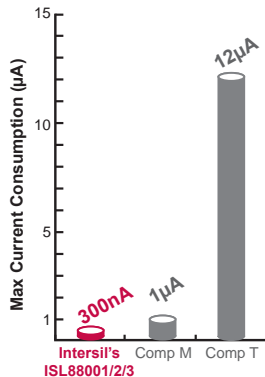
ISL88002

Active Low Open Drain

ISL88003

Active High Push-Pull

Ultra-Low Current Consumption



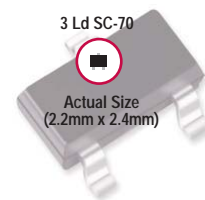
Intersil's ISL88001/2/3 voltage supervisors use only a fraction of power compared to competitors, making them ideal for portable and battery-powered applications.

Key Applications

- ▶ Battery-Powered and Portable Electronics
- ▶ Medical Instrumentation
- ▶ Consumer Applications
- ▶ Telecom Equipment

Ultra-Small Package

Industry standard pin-out in SC-70 and SOT-23.



Extensive Supervisor Product Portfolio

Single

Device	# of Voltage Monitors	Fixed V _{TRIP}	Adj. V _{TRIP} (Resistors)	Reset Output Type	Manual Reset	TwinPin™ MR/RST	WDT	Adj. POR Timeout	Additional Features	Package
ISL88001	1	●		Active Low					160nA, Ultra-Small Package	3 Ld SC-70, 3 Ld SOT-23
ISL88002	1	●		Active Low					160nA, Ultra-Small Package	3 Ld SC-70, 3 Ld SOT-23
ISL88003	1	●		Active High					160nA, Ultra-Small Package	3 Ld SC-70, 3 Ld SOT-23
ISL88011	1	●		Active High and Low	●	●		●		5 Ld SOT-23
ISL88013	1	●		Active High and Low	●	●	●		Enhanced WDT	5 Ld SOT-23
ISL88014	1		●	Active Low	●	●		●		5 Ld SOT-23
ISL88015	1		●	Active Low	●	●	●		Enhanced WDT	5 Ld SOT-23
ISL88016	1	●		Active Low	●	●			26 Pin Selectable V _{TRIP}	6 Ld TSOT
ISL88017	1	●		Active Low	●	●			26 Pin Selectable V _{TRIP}	6 Ld TSOT

Dual

Device	# of Voltage Monitors	Fixed V _{TRIP}	Adj. V _{TRIP} (Resistors)	Reset Output Type	Manual Reset	TwinPin™ MR/RST	WDT	Adj. POR Timeout	Additional Features	Package
ISL88012	2	●	●	Active High and Low	●	●				5 Ld SOT-23
ICL7665S	2		●	Active Low					Programmable Hysteresis	8 Ld PDIP, 8 Ld SOIC
ISL88705	2	●	●	Active Low	●		●	●	PFI/PFO	8 Ld PDIP, 8 Ld SOIC
ISL88706	2	●	●	Active Low	●		●	●	PFI/PFO	8 Ld PDIP, 8 Ld SOIC
ISL88707	2	●	●	Active High and Low	●		●	●	PFI/PFO	8 Ld PDIP, 8 Ld SOIC
ISL88708	2	●	●	Active High and Low	●		●	●	PFI/PFO	8 Ld PDIP, 8 Ld SOIC
ISL88813	2	●	●	Active High	●				PFI/PFO	8 Ld PDIP, 8 Ld SOIC
ISL88716	2	●	●	Active High	●				PFI/PFO	8 Ld PDIP, 8 Ld SOIC
ISL6132	2(UV) 2(OV)		●	Active Low	●				UV/OV Monitor, PGOOD, Individual Reset	24 Ld QFN

Triple

Device	# of Voltage Monitors	Fixed V _{TRIP}	Adj. V _{TRIP} (Resistors)	Reset Output Type	Manual Reset	TwinPin™ MR/RST	WDT	Adj. POR Timeout	Additional Features	Package
ISL88021	3	●	●	Active High and Low	●			●	UV Monitor	8 Ld MSOP
ISL88022	3	●	●	Active High and Low	●			●	UV/OV Monitor	8 Ld MSOP

Quad

Device	# of Voltage Monitors	Fixed V _{TRIP}	Adj. V _{TRIP} (Resistors)	Reset Output Type	Manual Reset	TwinPin™ MR/RST	WDT	Adj. POR Timeout	Additional Features	Package
ISL6131	4		●	Active Low	●				PGOOD, Individual Reset Outputs	24 Ld QFN
ISL6536	4		●	Active Low	●					8 Ld SOIC
ISL88041	4		●	Active Low	●					8 Ld SOIC
ISL88042 (coming soon)	4	●		Active Low	●					8 Ld TDFN

Quintuple

Device	# of Voltage Monitors	Fixed V _{TRIP}	Adj. V _{TRIP} (Resistors)	Reset Output Type	Manual Reset	TwinPin™ MR/RST	WDT	Adj. POR Timeout	Additional Features	Package
ISL88031	5	●	●	Active Low	●					8 Ld MSOP