

I/O Block
PAGE 4

Predistortion Processor
PAGE 6

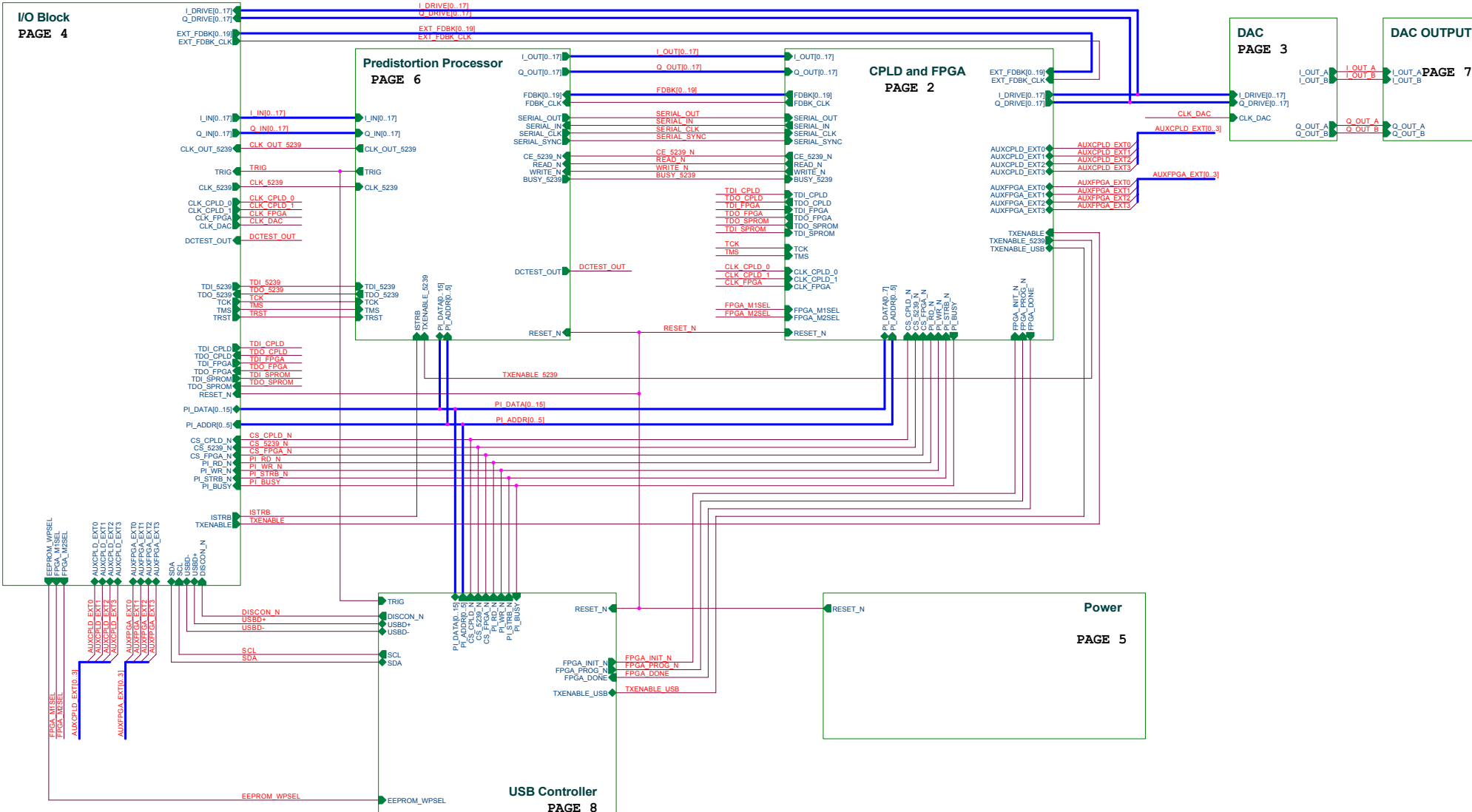
CPLD and FPGA
PAGE 2

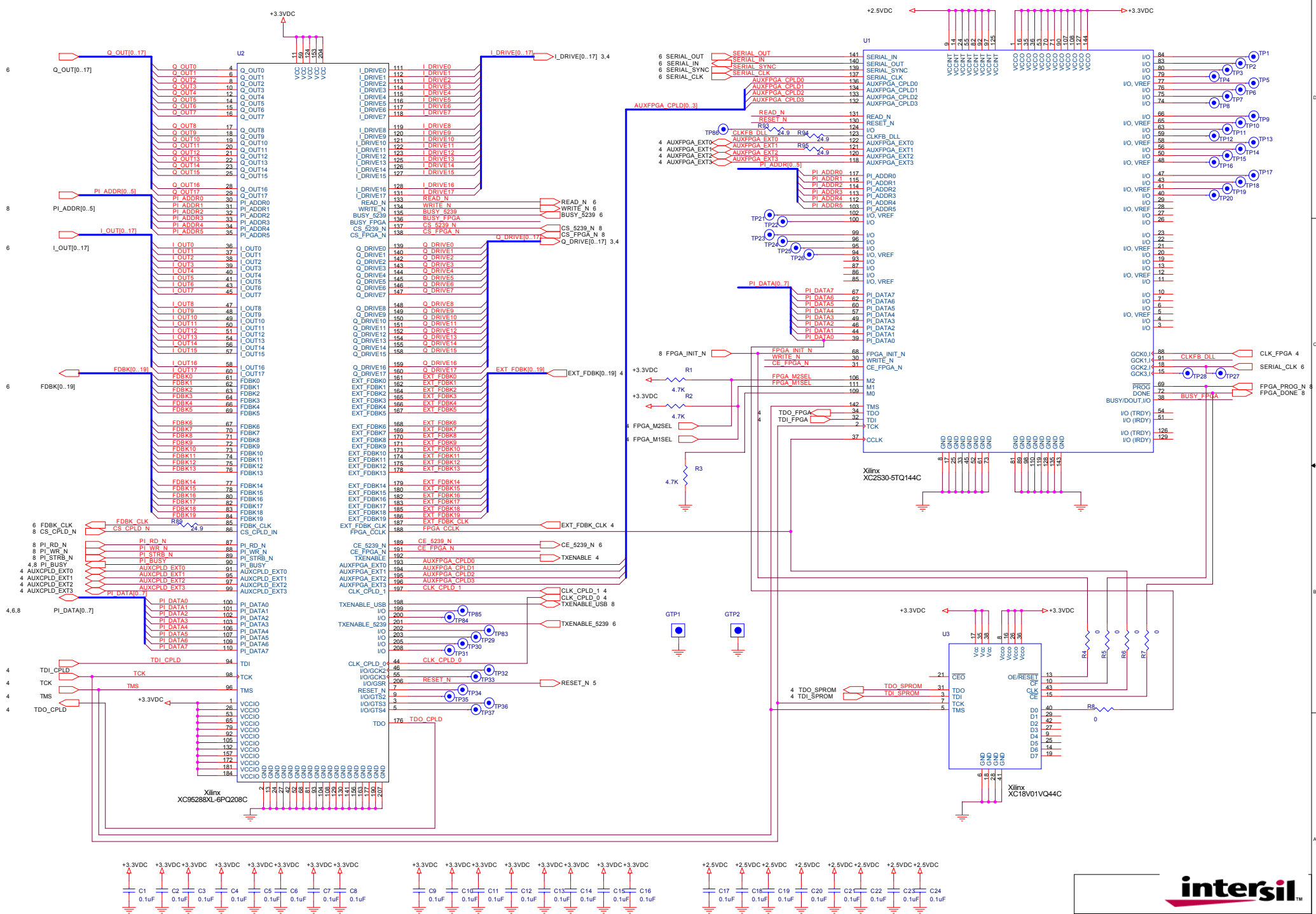
DAC
PAGE 3

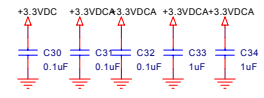
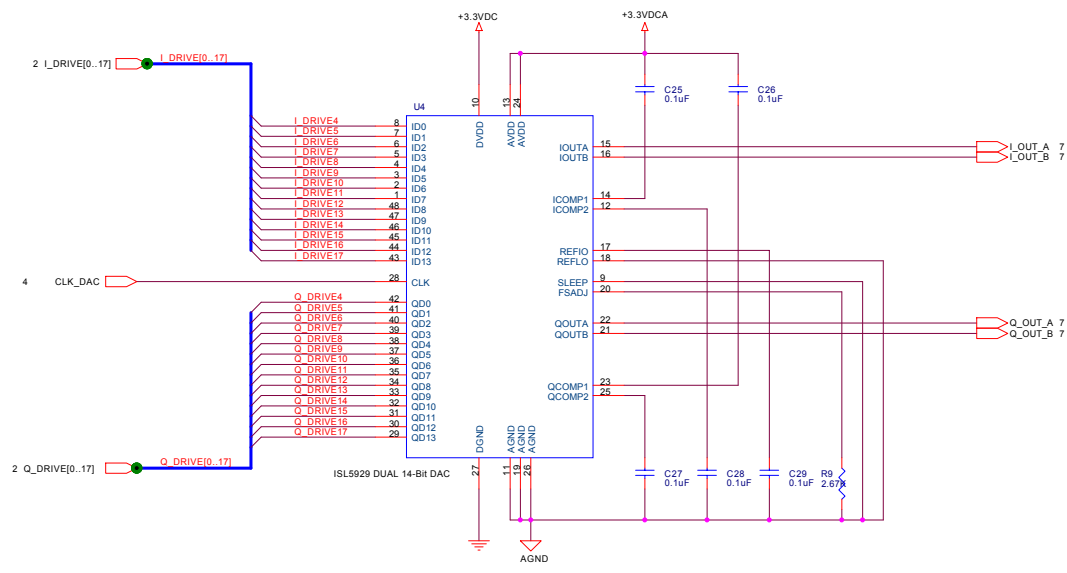
DAC OUTPUT
PAGE 7

USB Controller
PAGE 8

Power
PAGE 5

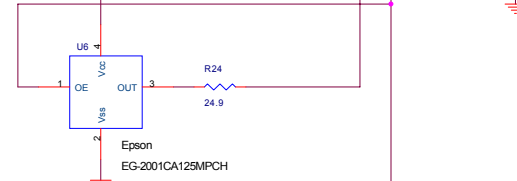
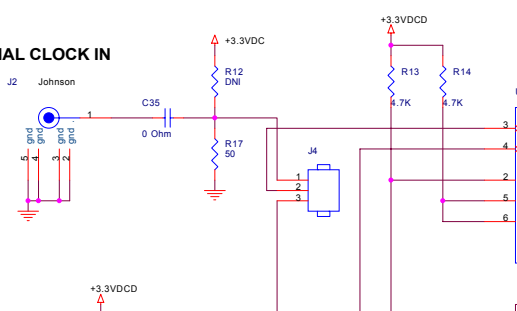




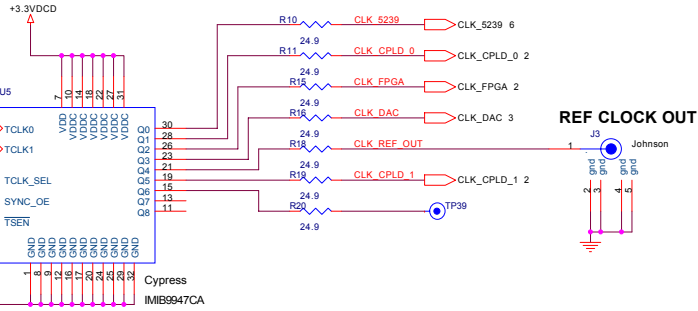
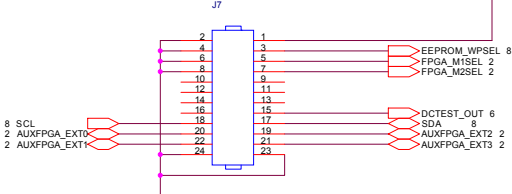


Title			ISL5239 Eval Board: DAC		
Size	Document Number				Rev
C	100085-001				B
Date	Tuesday, June 18, 2002	Sheet	3	of	8

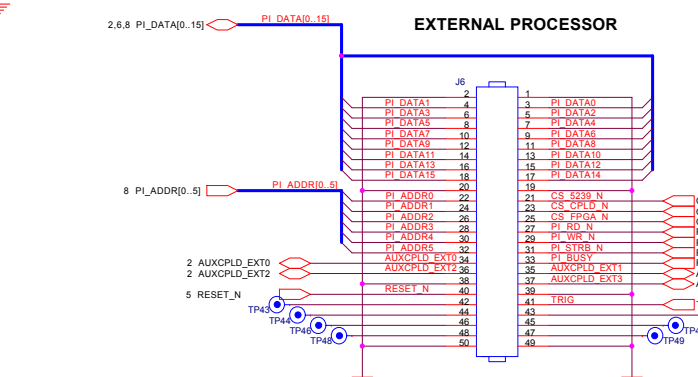
EXTERNAL CLOCK IN



CONFIGURATION

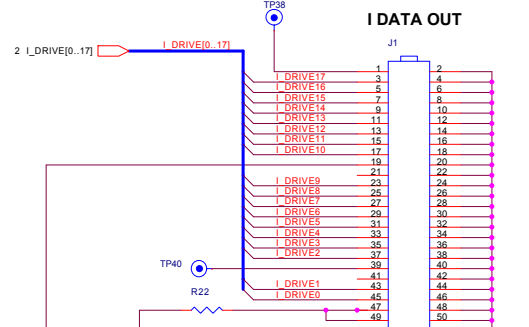
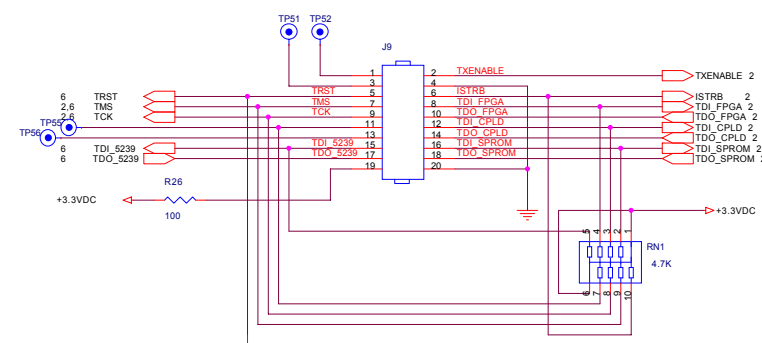


REF CLOCK OUT

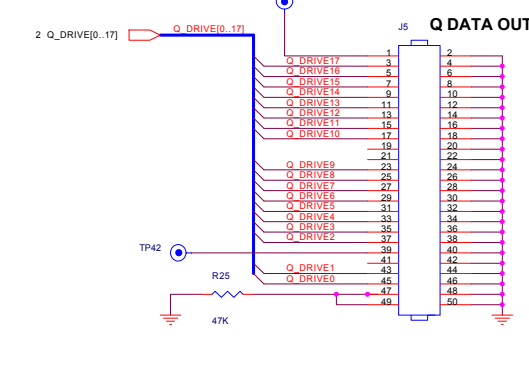


EXTERNAL PROCESSOR

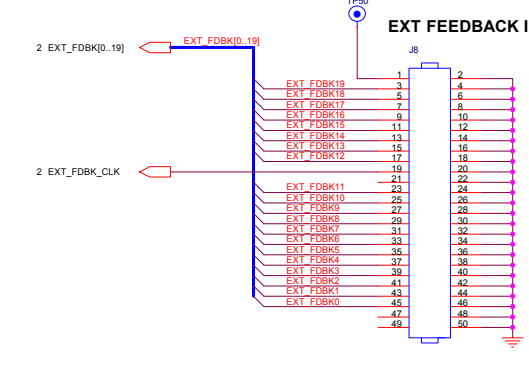
JTAG AND MISC



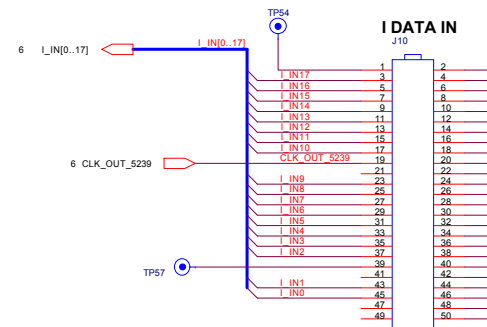
I DATA OUT



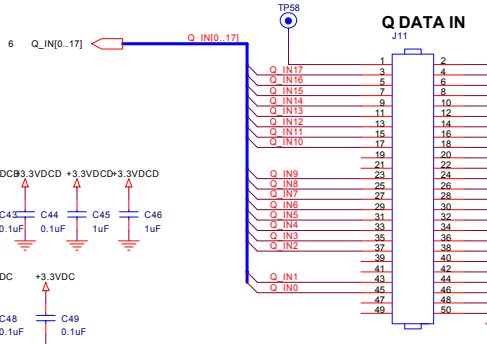
Q DATA OUT



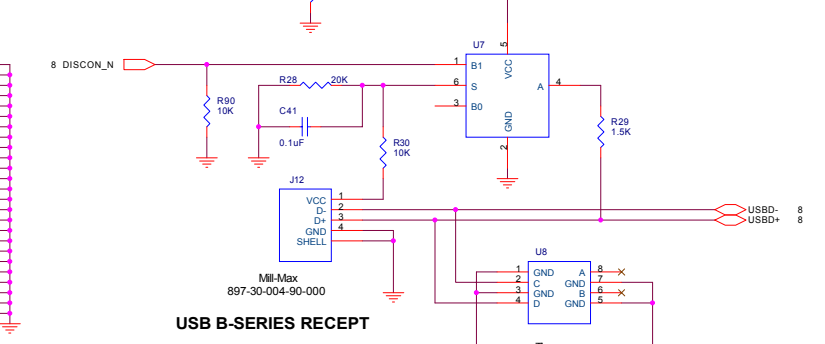
EXT FEEDBACK IN



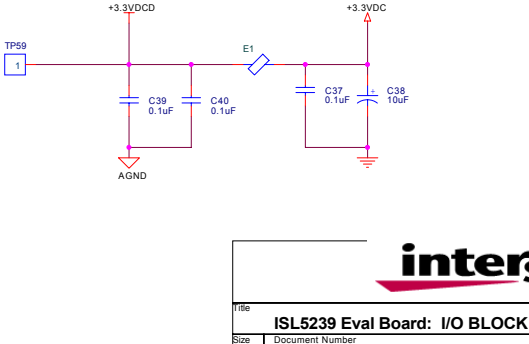
I DATA IN



Q DATA IN

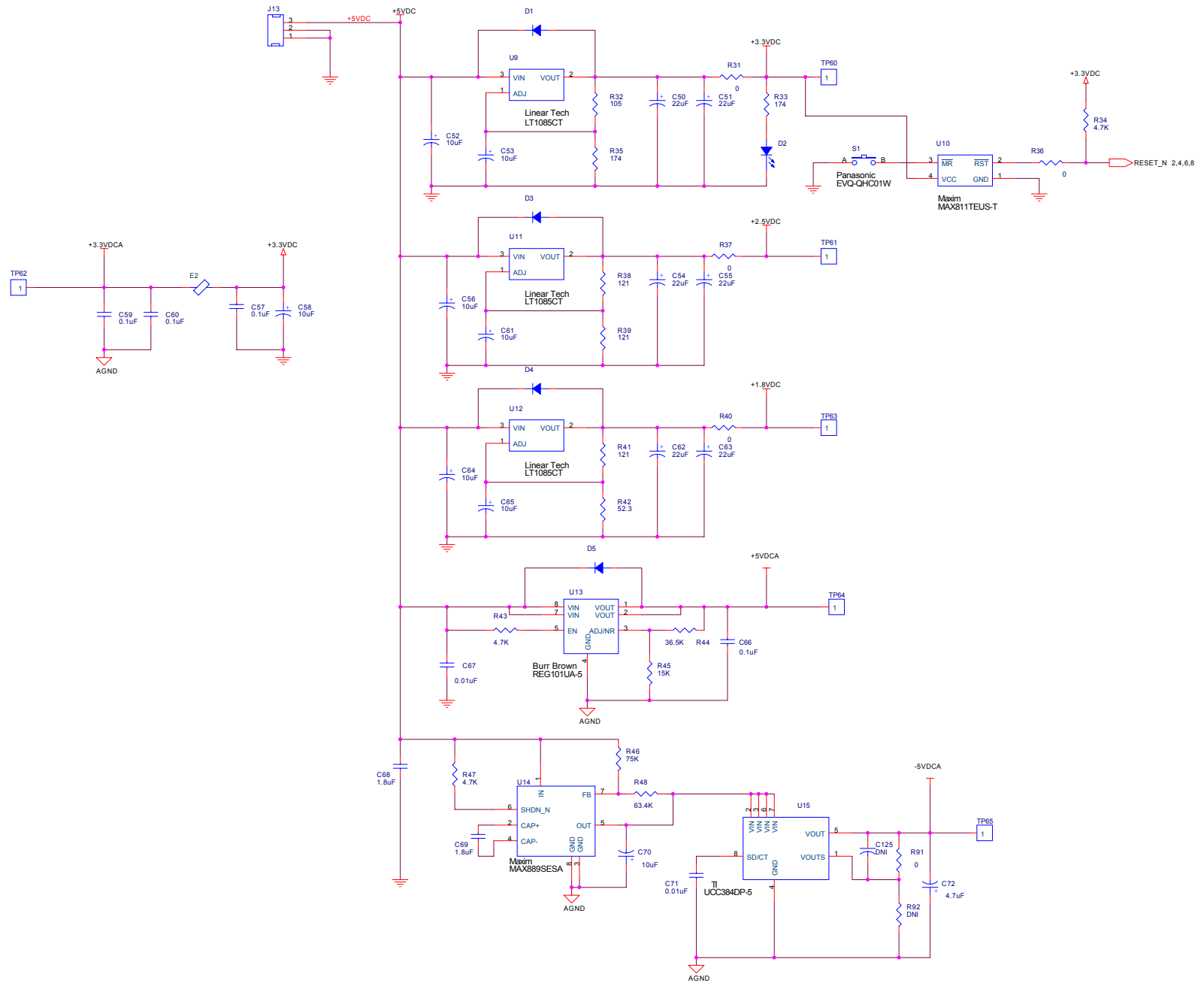


USB B-SERIES RECEPT



Title		ISL5239 Eval Board: I/O BLOCK	
Size	C	Document Number	100085-001
Date	Tuesday, June 18, 2002	Sheet	4 of 8
Rev	B		

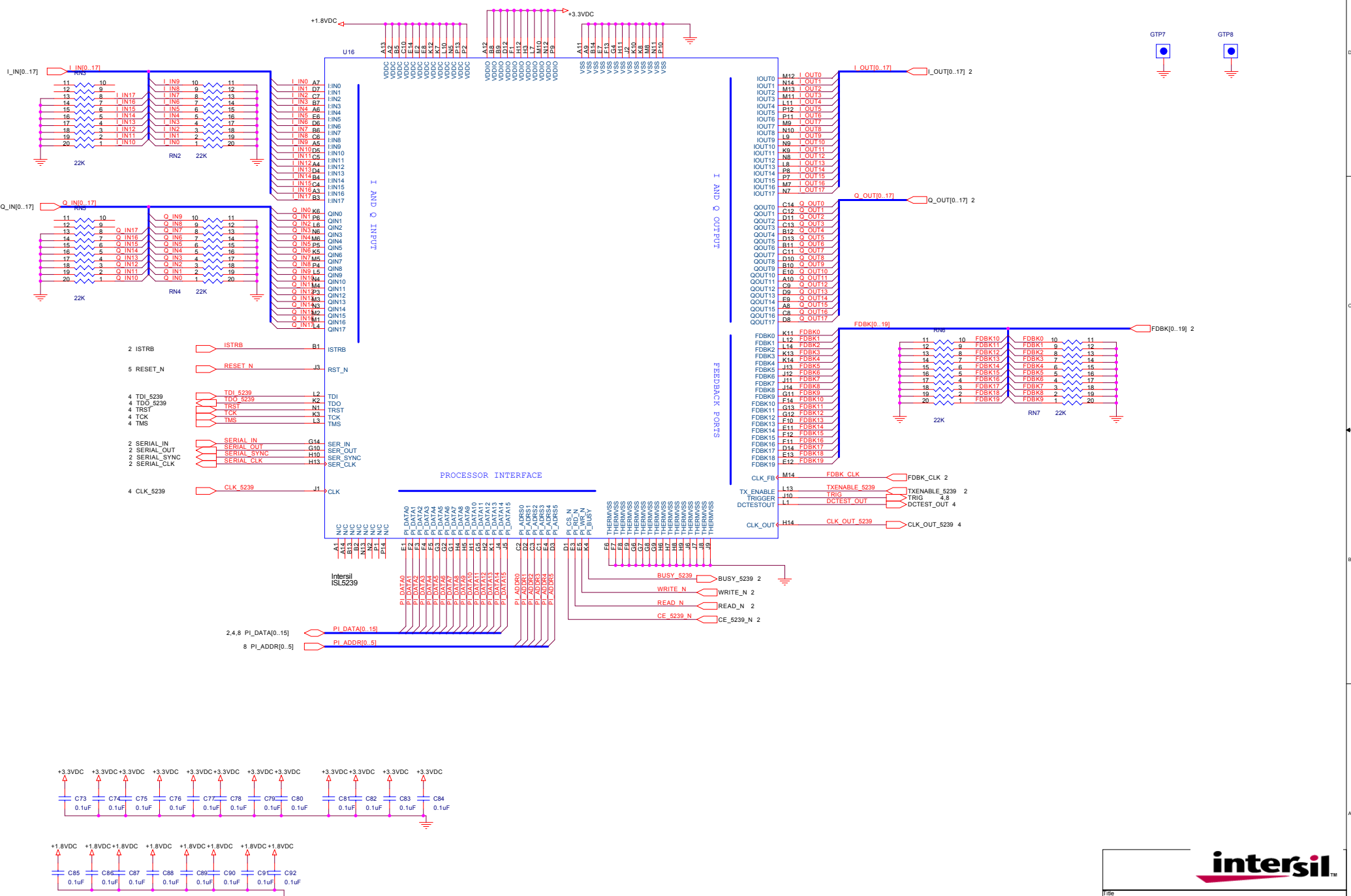
5VDC INPUT POWER JACK

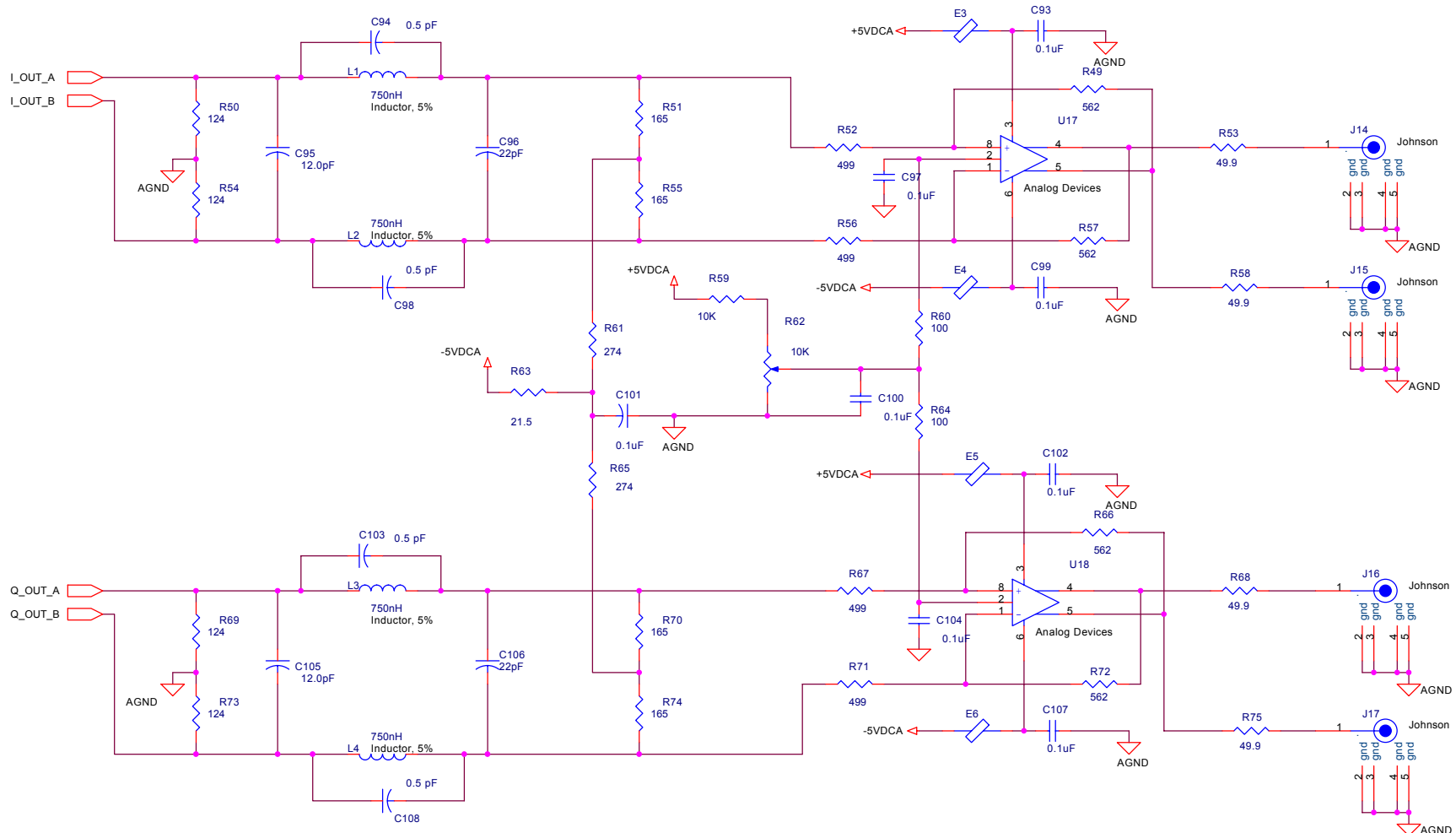


- GTP3
- GTP4
- GTP5
- GTP6



Title			ISL5239 Eval Board: POWER		
Size	Document Number		Rev		
C	100085-001		B		
Date	Tuesday, June 18, 2002	Sheet	5	of	8





Title		
ISL5239 Eval Board: DAC Output		
Size	Document Number	Rev
B	100085-001	B
Date:	Tuesday, June 18, 2002	Sheet 7 of 8

