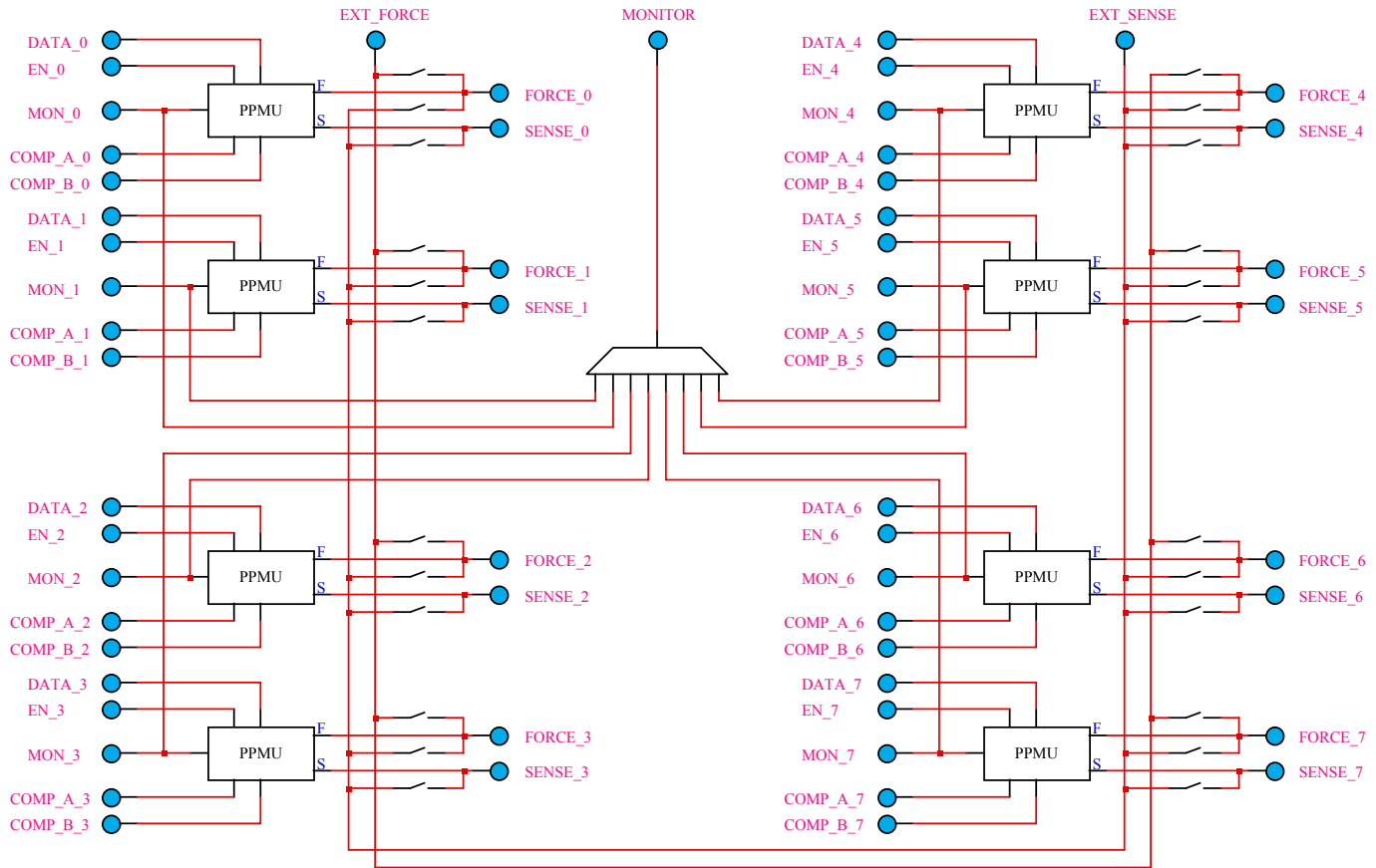


SOC Octal PMU / VI w/ Ganging 5 MHz Pin Electronics

[Get Full Datasheet](#)



Pin Electronics Driver

- 2 Level Driver w/ On Chip Buffers
- Extremely Low HIZ Leakage over a 16V Range
- 14V Driver Output Swings
- 5 MHz Driver Operation

Pin Electronics Comparator

- Extremely Low Input Leakage over a 16V Range
- 16V Comparator Input Voltage Range

Per Pin PMU

- FV, FI, MV, MI – 4 Quadrant Operation
64 mA I_{max} in FV / MI
32 mA I_{max} in FI / MV
- 8 Current Ranges
(32 mA, 8 mA, 2 mA, 512 μA, 128 μA, 32 μA, 8 μA, 2 μA)
- 14V FV Range
- FI Voltage Clamps
- FV Current Clamps
- Per Pin Monitor
- Central (Per Chip) Monitor

Ganging Capability

- High current applications
- No limit on ganged I_{max}

3 Bit Serial CPU Port

On Chip DAC to Generate DC Levels

- 10 DC Levels per Channel (16 Bits / Level)
- On Chip Offset and Gain Correction

Resistive Load

- 8 Resistance Options
- High Speed Real Time Control

Package / Power Dissipation

- 128 Lead, 14 mm X 20 mm, TQFP w/ Heat Slug
- Pd_q ≤ 500 mW / Channel; Pd_q ≤ 4 W / Chip

Product Status	Revision Date
Production	11 / 21 / 07